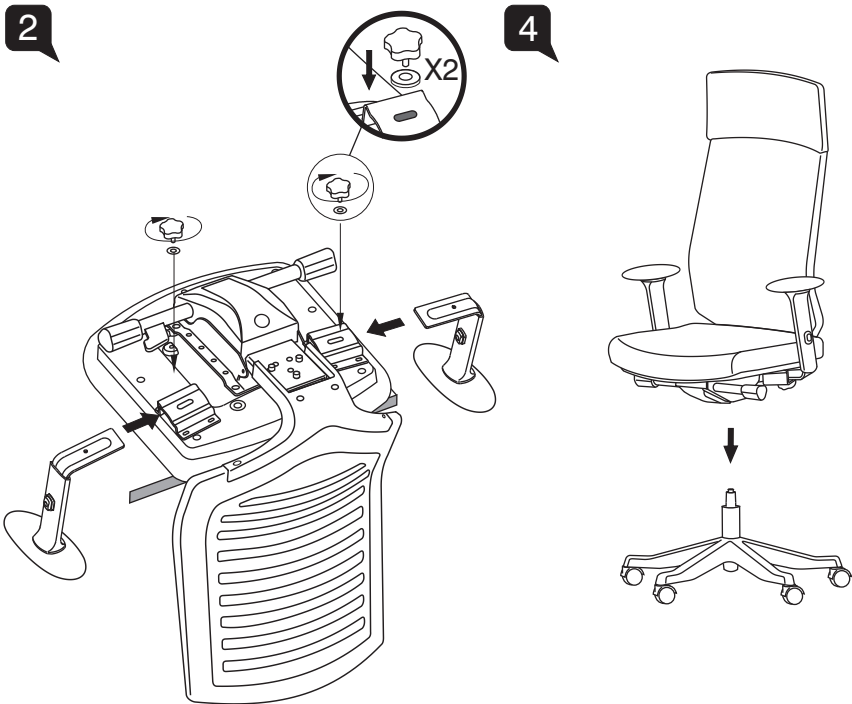
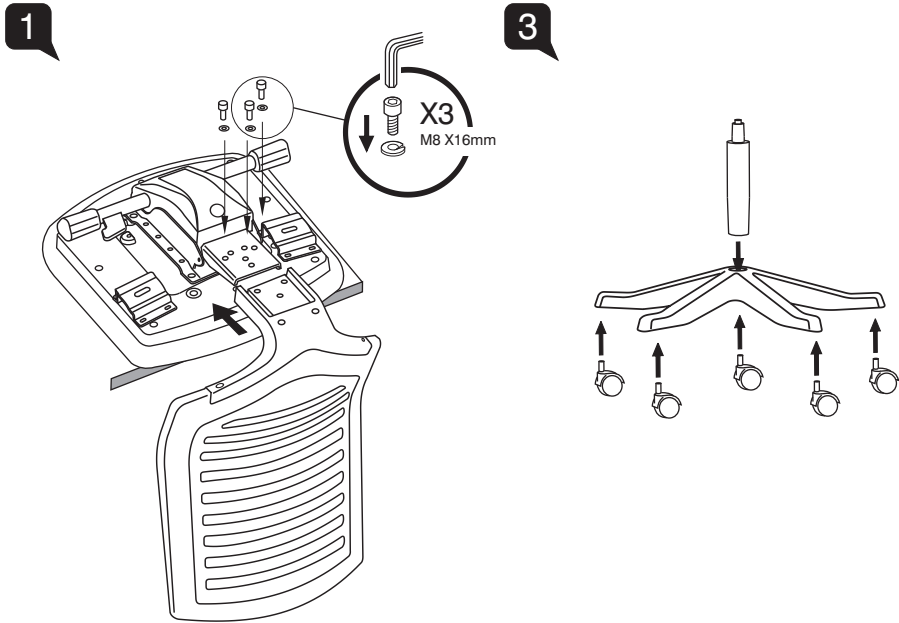


Assembly Instruction



VELO

Models

899 YJ A69 VP

898 YJ A69 VP

897 YJ A69 VP

User Instructions

- A** **Seat Height Adjustable**
Flip up lever on right-side to raise or lower seat. Adjust such that your feet are adequately supported on floor.
- B** **Multi-Position Tilt Lock**
Recline to desired position, and turn lever anti-clockwise to lock. Turn lever clockwise to release tilt-lock.
- C** **Tilt tension Control**
Turn bottom knob clockwise to provide a stronger tilt tension, and vice-versa. Adjust such that minimum effort is required to push back when recline.
- D** **Armrest Height**
Press the button and raise or lower the armrest. Adjust height to adequately support elbows to take strain off shoulders.
- E** **Armrest Width**
Turn bottom knob clockwise to loosen the armrest and adjust inwards or outwards to suite your shoulder width.
- F** **Armpad Angle**
Grasp armpads and rotate them inwards or outwards to adjust elbow support to suite specific tasks. An inward position works during keyboard use, while an outward position is recommended during mousing.
- G** **Armrest Depth**
Grasp armpads and push them forwards and backwards to suite your arm support.

