

Stadium Chair – Sporta 1085 Floor mounting Instruction

MERRYFAIR®

- 1 Put the chair at the desired position.
- 2 Use the chair as a template, use power drills to drill the holes on the floor. (Diameter of the holes depends on the screw that use to fix to the floor)
- 3 Fix the chair to the floor by using:-

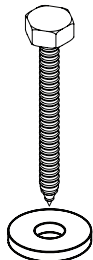
Proposed to use:



concrete floor:

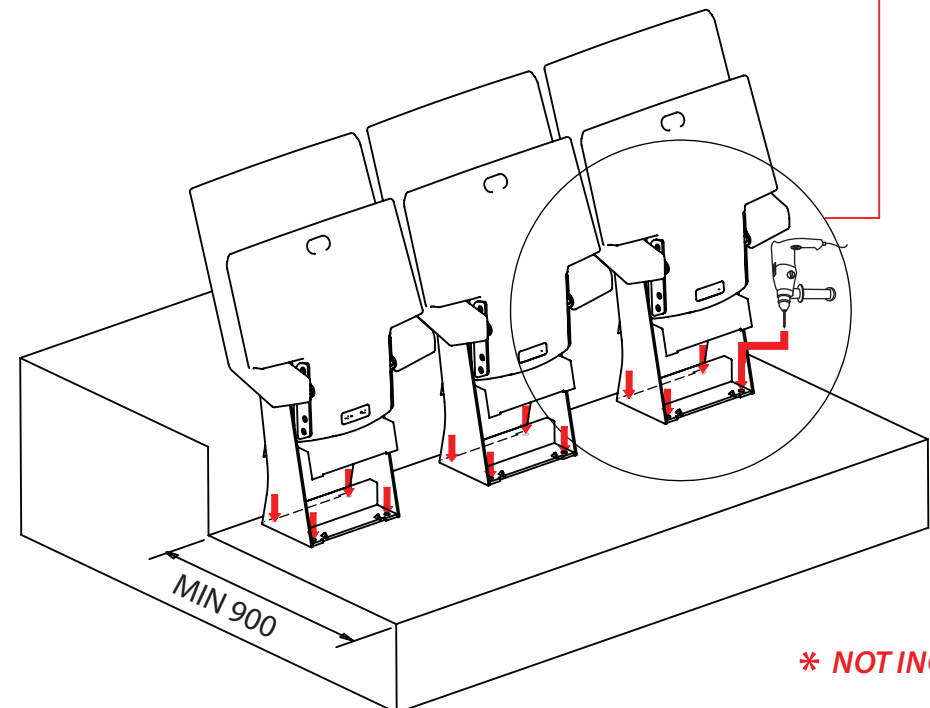
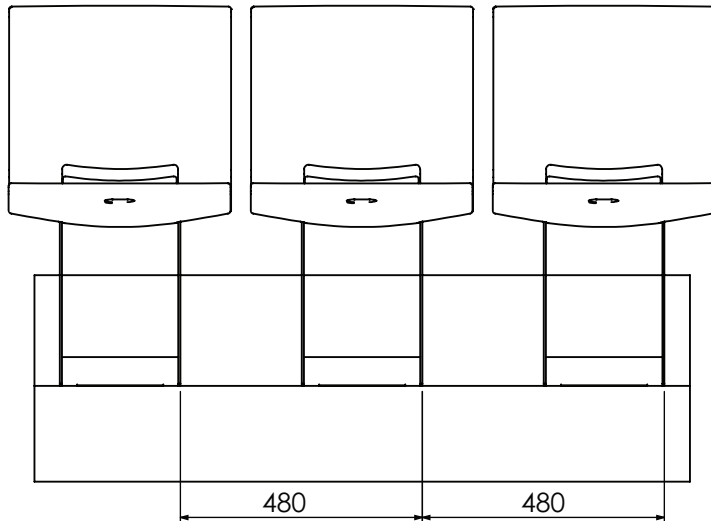
- * M8 Shield Anchor Bolt
- * (8 x 22 x 3mm) Flat Washer

or



wooden floor:

- * Hexagon Coach Screw
- * Washer



* NOT INCLUDED