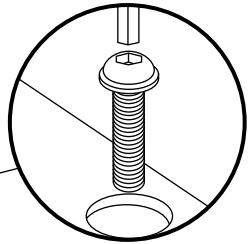
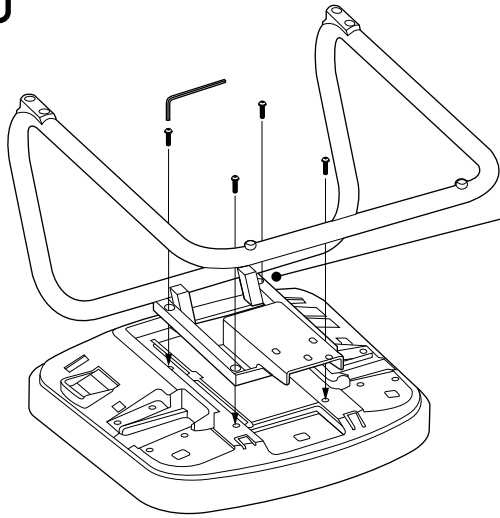
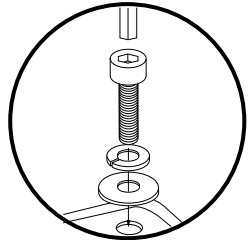
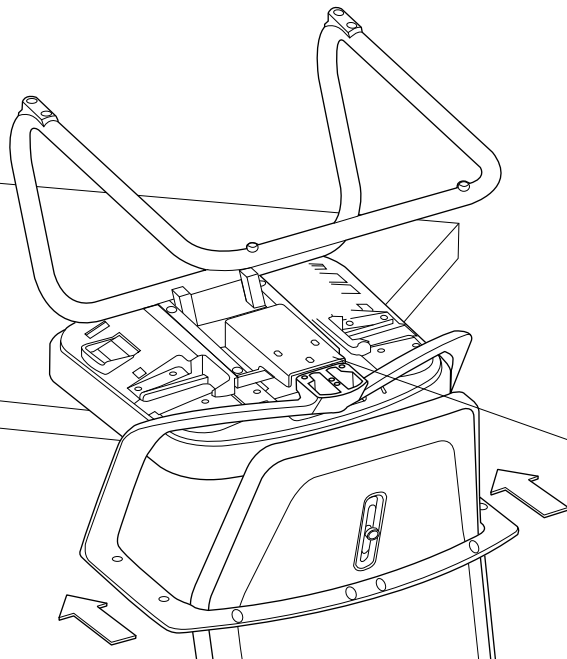


1

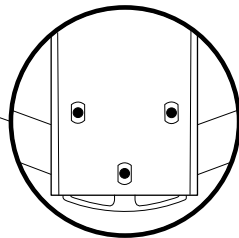


X4
M6 x 20mm

2



X3
M8 x 25mm



SONOMA

model: 931ZNAC73C
931PNAW73S

USER INSTRUCTIONS

- A** **Lumbar Height Adjustment**
Slide the knob on the lower back-side up or down for
desired lumbar position.

