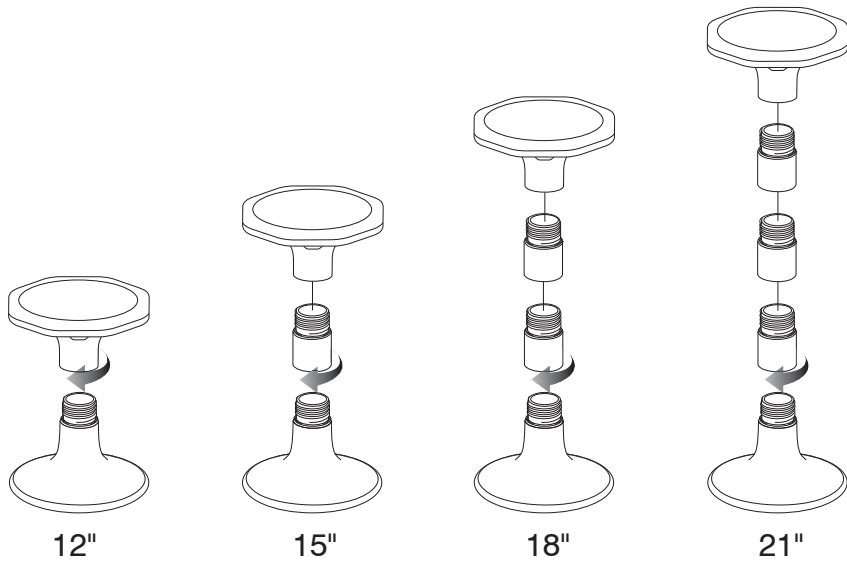
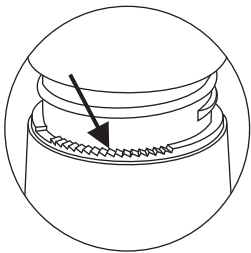


1



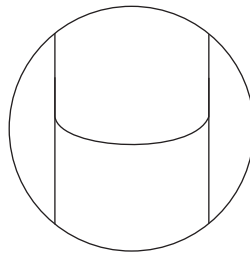
2



The ratchet teeth are designed to lock the segments securely.



Place your feet to hold the base in place and turn the seat clockwise to lock



Turn until no ratchet sound can be heard and no gap exists in between each segment.

Important Note: Attempting to unscrew or loosen the segments may damage the ratchet mechanism once they have been locked into place.

MOGOO

Models

1050* NA AOO Y (12")

1051* NA AOO Y (15")

1052* NA AOO Y (18")

1053* NA AOO Y (21")

