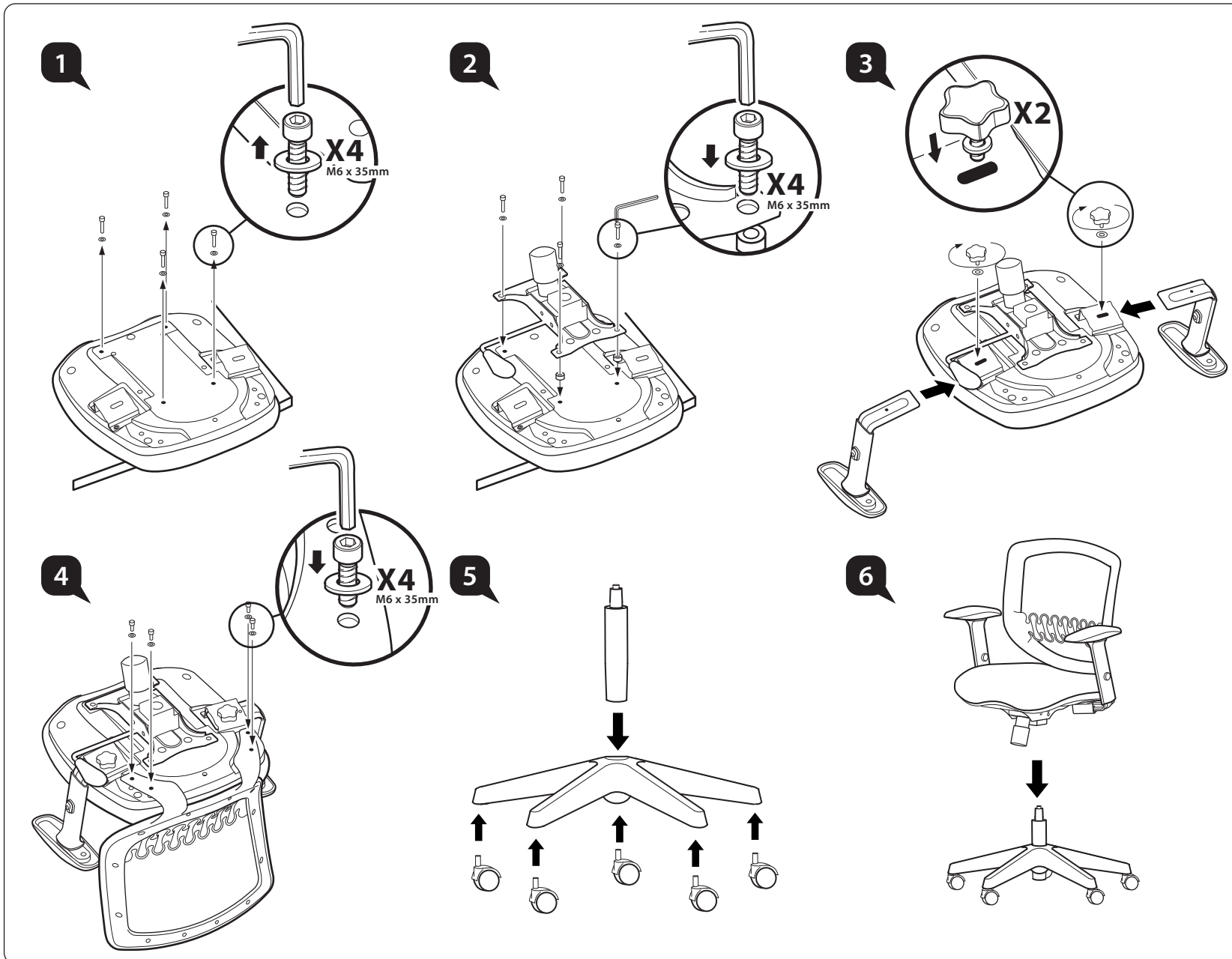
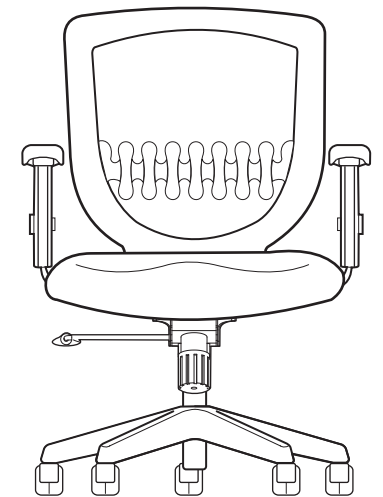


Assembly Instruction

MERRYFAIR®



Esie
model: 367 SH A4S N3



User Instructions

MERRYFAIR®

A *Seat Height Adjustable*

Flip up lever on right-side to raise or lower seat. Adjust such that your feet are adequately supported on floor.

B *Tilt Lock*

Only have 2 locking positions for this series. At up right position or recline to maximum and push in lever to lock. Pull out lever to release tilt-lock.

C *Tilt Tension Control*

Turn bottom knob clockwise to provide a stronger tilt tension, and vice-versa. Adjust such that minimum effort is required to push back when recline.

D *Armrest Height*

Press the button and raise or lower the armrest. Adjust height to adequately support elbows to take strain off shoulders.

E *Armrest Width*

Turn bottom knob clockwise to loosen the armrest and adjust inwards or outwards to suite your shoulder width.

F *Armpad Angle*

Grasp armpads and rotate them inwards or outwards to adjust elbow support to suit specific tasks. An inward position works during keyboard use, while an outward position is recommended during mousing.

G *Armpad Depth*

Grasp armpads and push them forwards or backwards to suite your arm support.

Esie

model: 367 SH A4S N3

