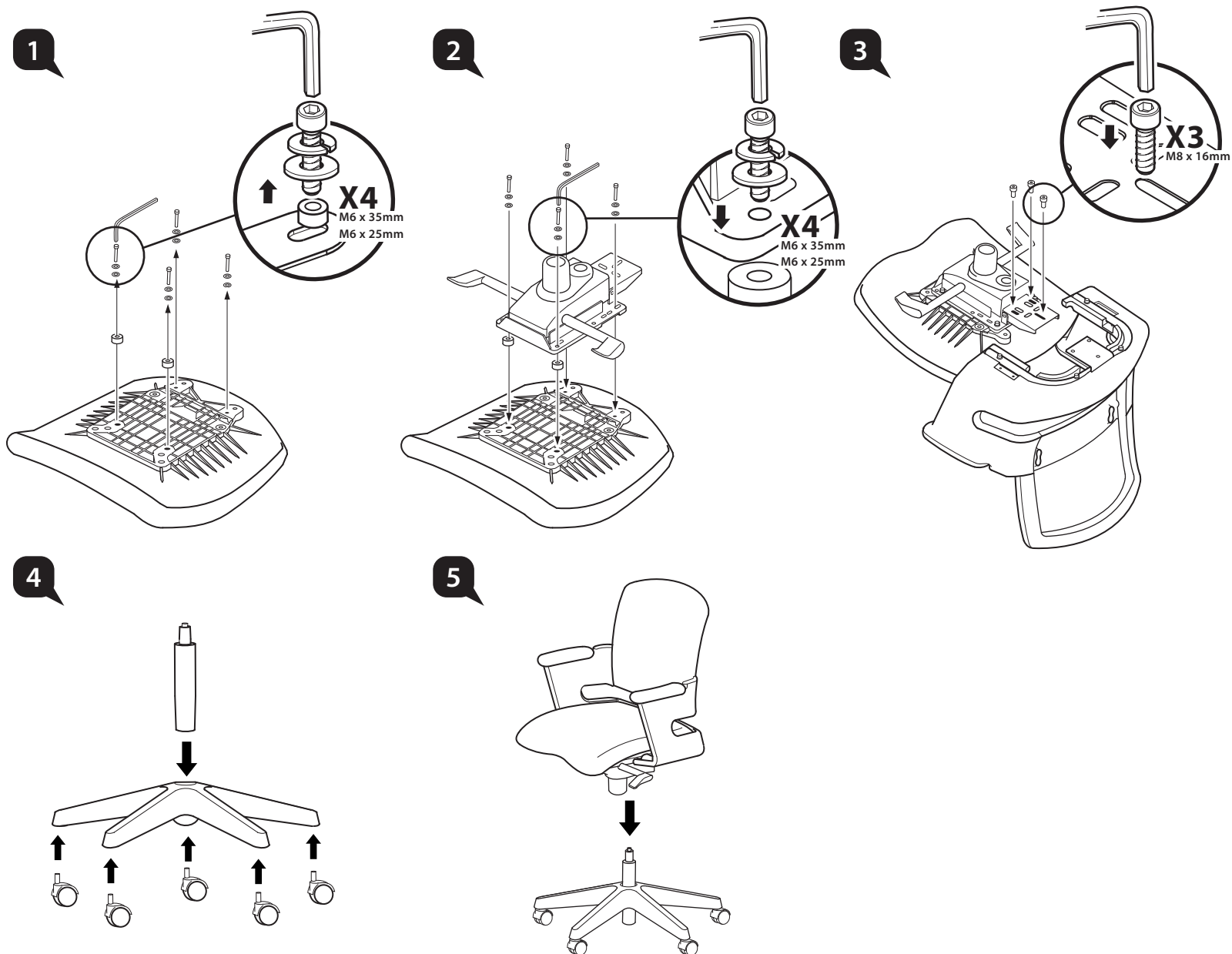


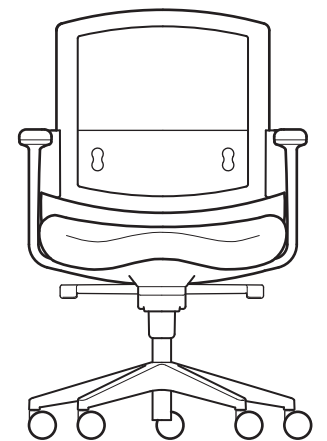
Assembly Instruction

MERRYFAIR®



Wing

model: 207* YC A36 N2



User Instructions

MERRYFAIR®

A *Seat Height Adjustable*

Flip up lever on right-side to raise or lower set. Adjust such that your feet are adequately supported on floor.

B *Multi-Position Tilt Lock*

Recline to desired position, and flip down lever on left-side to lock. Flip up lever to release tilt-lock.

C *Lumbar Support Height Adjustment*

Hold on holder at the back and move up down to suite your lumbar height.

Wing

model: 207* YC A36 N2

