

MERRYFAIR®



WYE

Seating Products

### **Seating Excellence at Work**

Wye is a multi-purpose chair, perfect for office, SOHO or home use. Its loop armrests and side frames of die-cast aluminium, and its 5-prong metal base, all in polished finish, combined beauty and durability.



**Appearance**

Wye's classic appearance and majestic styling makes it suitable for any office environment as well as home.

**Comfort**

Wye offers 2 upholstery options, a soft luxurious padded option or a mesh option for cool ventilated comfort.

**Flexibility**

Wye's unique suspension construction is created by stretching a continuous piece of upholstery material tautly between the aluminium side frames, to give a firm, yet flexible support.



Wye swivel chair is available in 2 backrest heights, while a cantilever-leg visitor chair completes the range.



#### Armrests

Die-cast aluminium loop armrest in chrome-plated finish.

#### Base

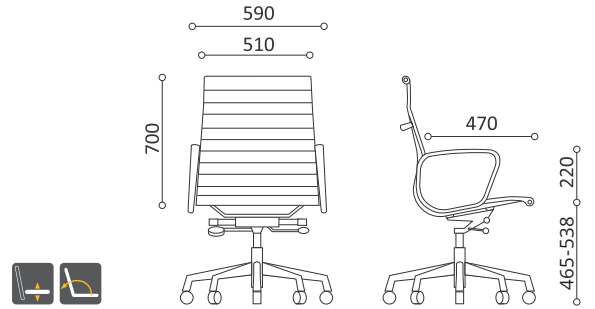
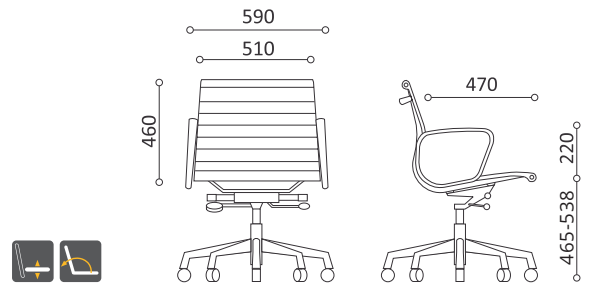
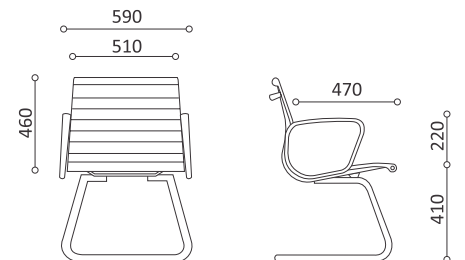
5-prong metal base in chrome-plated finish. 50mm dual-wheel castors of moulded polyamide (nylon).

#### Backrest

Upholstery is offered in 2 choices, high-tensile polyester mesh or a thin leather padding. Side frame of die-cast aluminium in chrome-plated finish.

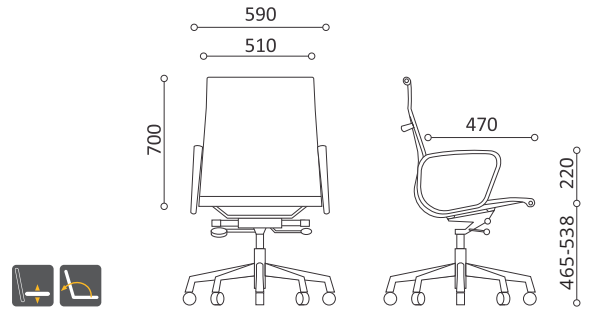
#### Mechanism

Backwards tilt mechanism can be regulated and locked in the forward most position; fully adjustable seat height via pneumatic spring.

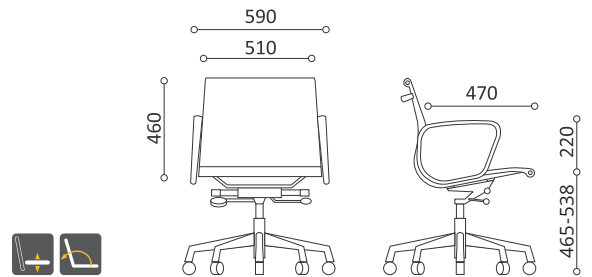
**High Back****579 TY A59 AB****Padded Upholstery****Low Back****577 TY A59 AB****Padded Upholstery****Visitor****571 NA A59 C****Padded Upholstery**Pneumatic Seat  
Height Adjustment

Knee tilt mechanism

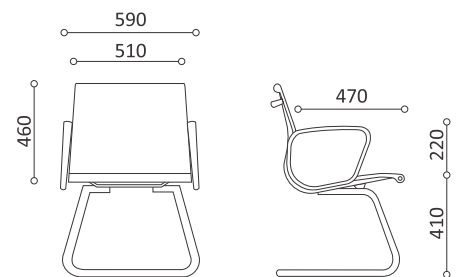
**High Back**  
**579 TY A59 AB**  
**Mesh Upholstery**



**Low Back**  
**577 TY A59 AB**  
**Mesh Upholstery**



**Visitor**  
**571 NA A59 C**  
**Mesh Upholstery**



## HEAD OFFICE & FACTORY

**Merryfair Chair System Sdn Bhd**  
(Co. No. 86276-A)  
No.2, Jalan Koporat 1/KU9,  
Taman Perindustrian Meru,  
42200 Klang, Selangor D.E., Malaysia.

**International Sales & Marketing**  
Tel. +603 3393 2888  
Fax. +603 3393 2000  
enquiry@merryfair.com

**Domestic Sales & Marketing**  
Tel. +603 3393 6868  
Fax. +603 3393 6888  
domestic@merryfair.com

[www.merryfair.com](http://www.merryfair.com)

## SHOWROOM OFFICE

**Merryfair Marketing Sdn Bhd**  
(Co. No. 665054-V)  
No. 82-84, Jalan 2/23A,  
Jalan Genting Kelang,  
53300 Kuala Lumpur, Malaysia.  
Tel. +603 4149 8899  
Fax. +603 4143 0113

## REGIONAL OFFICE & SHOWROOM

**美力菲 (中国) 家具有限公司**  
广东省佛山市顺德区容桂华口顺德高新区(容桂)华天路21号  
邮编: 528306  
Merryfair (China) Co.,Ltd  
No. 21, Huatian Road, Shunde High Tech Industrial Zone  
(Ronggui), Huakou Community, Ronggui Subdistrict,  
Shunde District, Foshan City, Guangdong, China 528306.  
Tel. +86 757 2636 9861  
Fax. +86 757 2881 9700  
domestic@merryfair.com.cn

**Merryfair (Singapore) Pte Ltd**  
33 Ubi Avenue 3, #01-52/53 Vertex,  
Singapore 408868.  
Tel. +65 6284 9098  
Fax. +65 6284 9028  
enquiry@merryfair.com.sg

**Merryfair (Thailand) Co.,Ltd.**  
19/1-2 Sithakarn, Soi Chidlom  
Lumpini, Pathumwan  
Bangkok 10330 Thailand  
Tel : +66 2254 1588  
Fax : +66 2254 1585  
sales@merryfair.co.th

