

MERRYFAIR®



WORK

Seating Products

Seating Excellence At Work

WORK offers a sleek and minimal design at your workspace, providing you basic support for your daily office tasks. WORK is also being able to offer you the flexibility to have an optional add on features: (Armrest or a Headrest and Lumbar Support)





The WORK seating range by Merryfair is all about seating support and comfort. The WORK task chair offer excellent value and ergonomic performance and easy add-on component to fit every user needs.



Specifications

Headrest

Detachable height adjustable headrest.

Backrest

The back frame made by black nylon plastic (100% recyclable). A breathable mesh suspension allows improved ventilation, to provide exceptional thermal comfort.

Armrest

Fixed armrest (A82) in black colour

Lumbar Support

Optional height adjustable lumbar pad to customize the exact support for various spinal shapes.

Mechanism

A weight-sensing mechanism auto-adjust recline resistance according to user weight with 3 position locking.

Backrest

A 80mm height adjustable range with molded contoured polyurethane foam gives a perfect support to the user.

Armrest

3-way adjustable (A78) armrest can adjust for 100mm height range. Fiber-reinforced polyamidematerial (100% recyclable) in black colour. Armpads can move forward or back and swivels into 3 angular positions to allow the user to rest their arms easily. Polypropylene material (100% recyclable) in black colour.

Base

Standard base is moulded of polypropylene in black colour. 50mm dual-wheels castor of moulded polyamide (Nylon).



Height Adjustable Headrest



Pneumatic Seat Height Adjustment



Synchronized Mechanism



Height Adjustable Lumbar Support



Depth-Angle Adjustable Armpad
2-way adjustable armpad



Height Adjustable Armrest

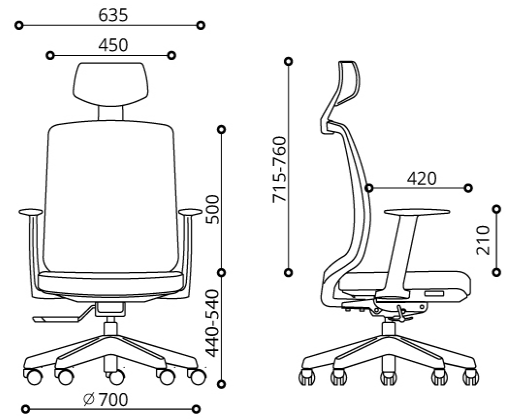
Swivel Chair without Lumbar Support

1249 SC A82 N2



Swivel Chair with Lumbar Support

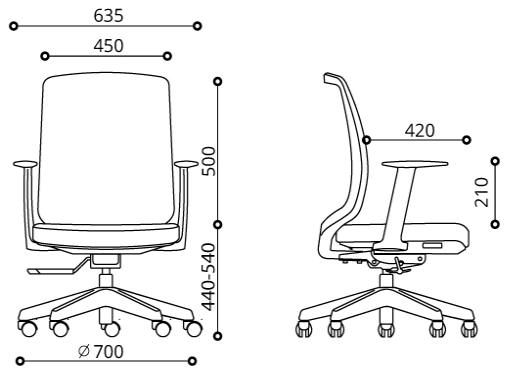
1259 SC A82 N2



1248 SC A82 N2



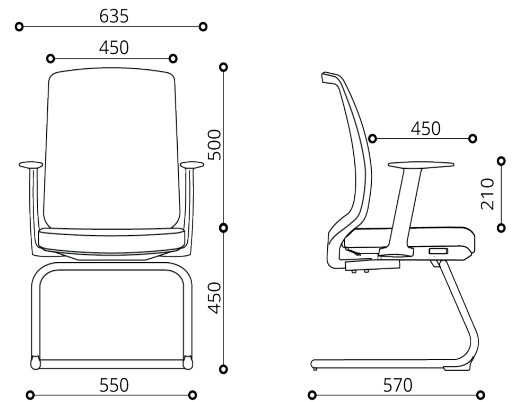
1258 SC A82 N2



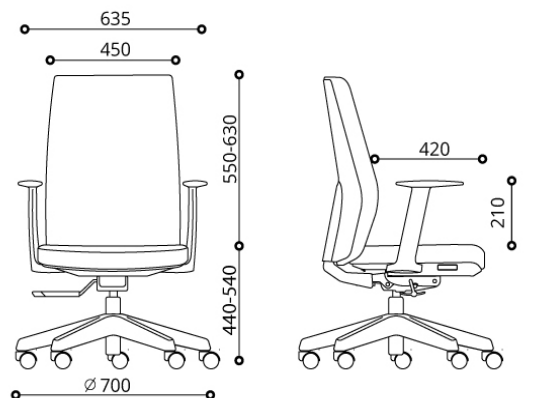
1241 NA A82 B



1251 NA A82 B



1268 SC A82 N2



Work: Features

Armrest



Height Adjustable
Armrest (A78)



Angle Adjustable
Armrest (A78)



Depth Adjustable
Armrest (A78)



Backrest

Height Adjustable
Backrest (1268)

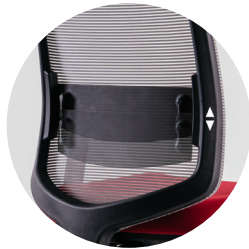
Work: Options

Headrest



Height Adjustable
Headrest

Lumbar



Height Adjustable
Lumbar Support

Armrest



Fixed Armrest
(A82)



3-Way Armrest
(A78)

Base



350 Studio Base
(N2)



Cantilever Base
(B)

HEAD OFFICE & FACTORY

www.merryfair.com

Merryfair Chair System Sdn Bhd

(Co. No. 86276-A)
No.2, Jalan Koporat 1/KU9,
Taman Perindustrian Meru,
42200 Klang, Selangor D.E., Malaysia.

International Sales & Marketing

Tel. +603 3393 2888
Fax. +603 3393 2000
enquiry@merryfair.com

Domestic Sales & Marketing

Tel. +603 3393 6868
Fax. +603 3393 6888
domestic@merryfair.com

SHOWROOM OFFICE

Merryfair Marketing Sdn Bhd

(Co. No. 665054-V)
No. 82-84, Jalan 2/23A,
Jalan Genting Kelang,
53300 Kuala Lumpur, Malaysia.
Tel. +603 4149 8899
Fax. +603 4143 0113

REGIONAL OFFICE & SHOWROOM

美惠菲 (中国) 家具有限公司

广东省佛山市顺德区容桂华口顺德高新区(容桂)华天路21号
邮编: 528306
Merryfair (China) Co.,Ltd
No. 21, Huatian Road, Shunde High Tech Industrial Zone
(Ronggui), Huakou Community, Ronggui Subdistrict,
Shunde District, Foshan City, Guangdong, China 528306.
Tel. +86 757 2636 9861
Fax. +86 757 2881 9700
domestic@merryfair.com.cn

Merryfair (Singapore) Pte Ltd

33 Ubi Avenue 3, #01-52/53 Vertex,
Singapore 408868.
Tel. +65 6284 9098
Fax. +65 6284 9028
enquiry@merryfair.com.sg

Merryfair (Thailand) Co.,Ltd.

19/1-2 Sithakarn, Soi Chidlom
Lumpini, Pathumwan
Bangkok 10330 Thailand
Tel : +66 2254 1588
Fax : +66 2254 1585
sales@merryfair.co.th

