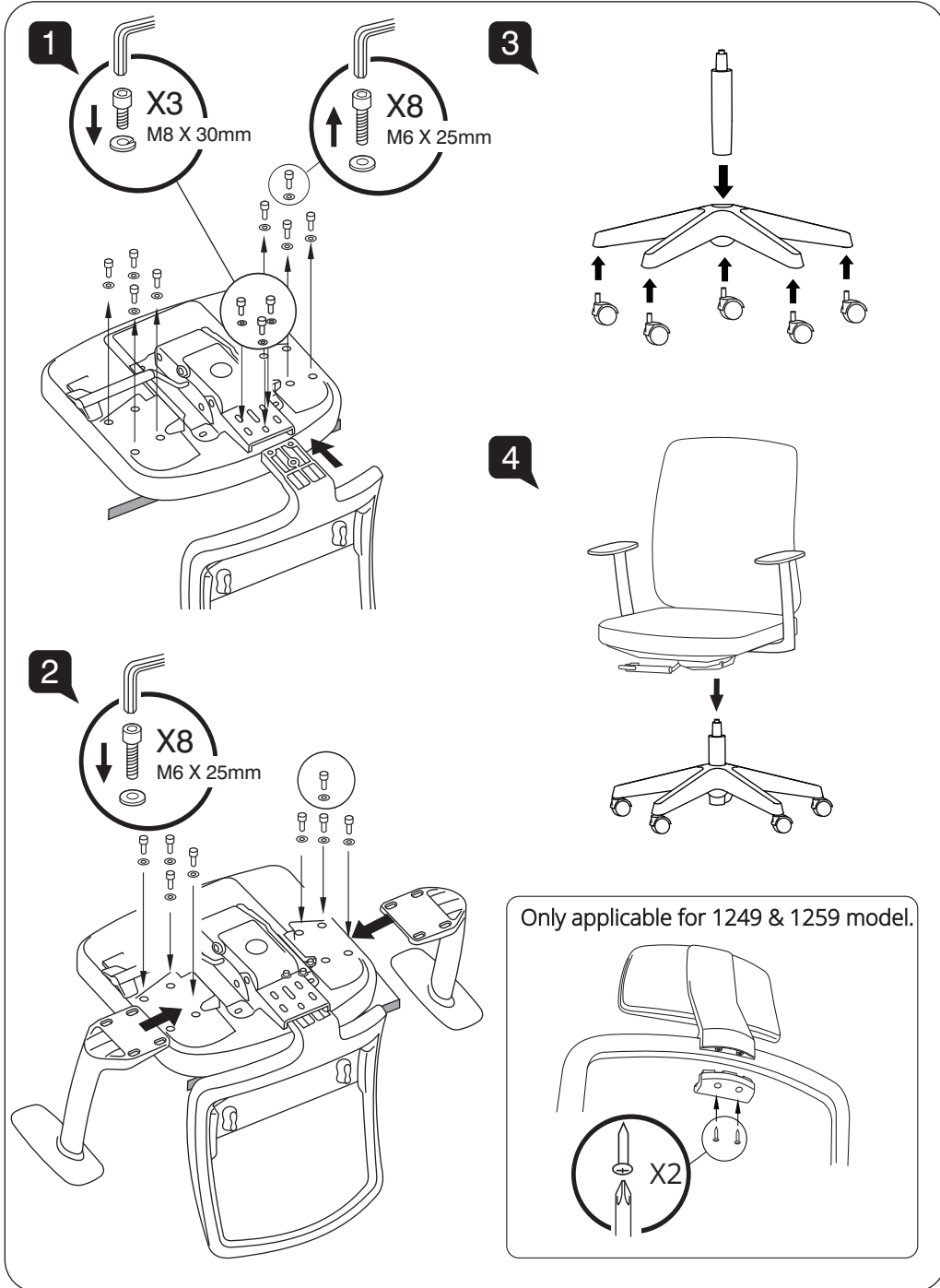


Assembly Instruction



WORK

Models

1249 SC A82 M2
1259 SC A82 M2
1248 SC A82 M2
1258 SC A82 M2

User Instructions

- A Seat Height Adjustable**
Flip up lever on right-side to raise or lower seat. Adjust such that your feet are adequately supported on floor.
- B Tilt Lock**
There are 3 locking positions for this model. At upright position or recline to the desired angle and push in lever to lock. Pull out lever to release tilt-lock.
- C Lumbar Height Adjustment** (For 1258 & 1259 Model)
Slide the lumbar support up or down for desired lumbar position.
- D Headrest Height** (For 1249/1259 model)
Adjust height by holding both sides of headrest and pull up or down to your desired height.

