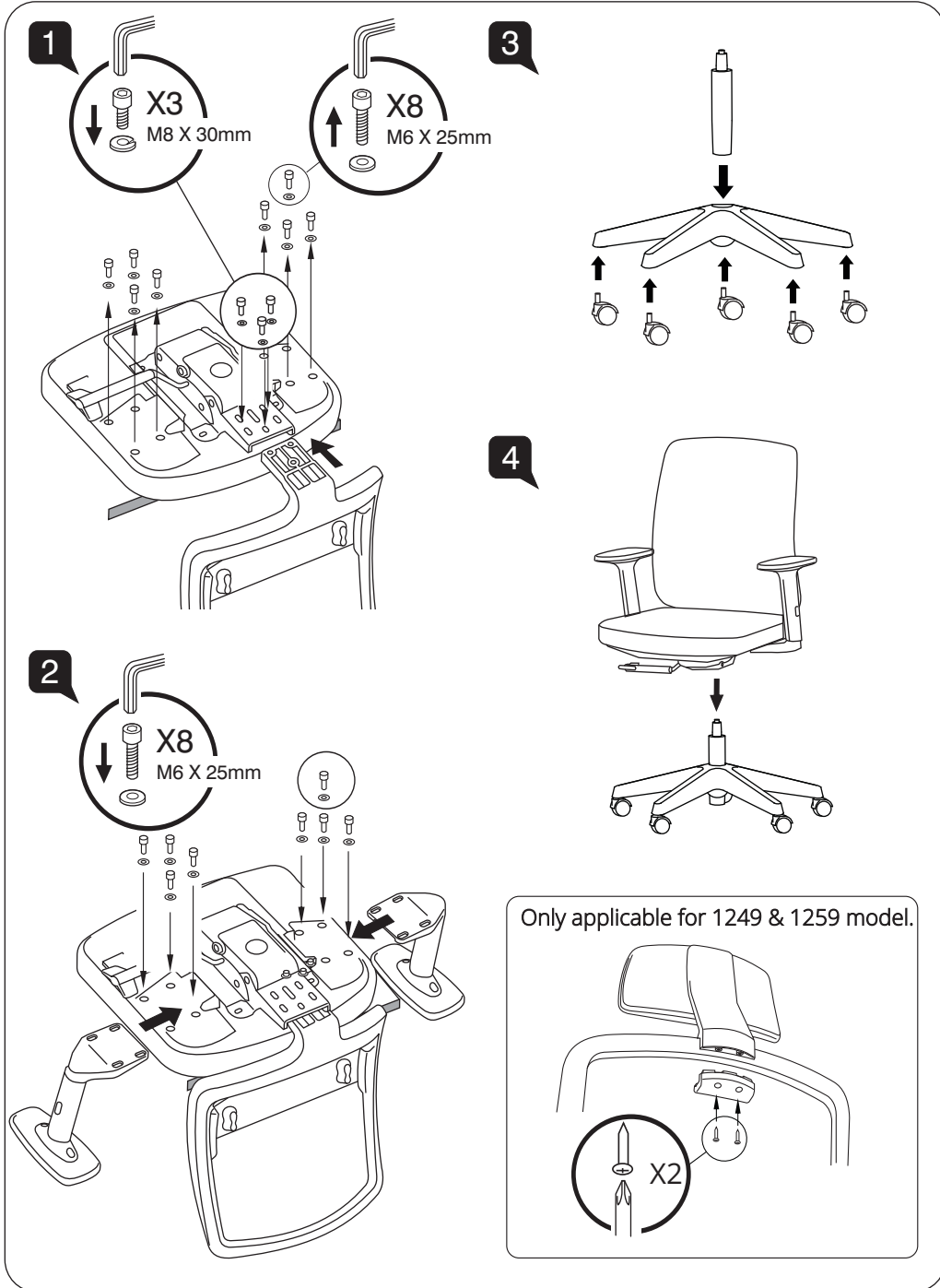


Assembly Instruction



WORK

Models

- 1249 SC A78 M2
- 1259 SC A78 M2
- 1248 SC A78 M2
- 1258 SC A78 M2

User Instructions

- A Seat Height Adjustable**
Flip up lever on right-side to raise or lower seat. Adjust such that your feet are adequately supported on floor.
- B Tilt Lock**
There are 3 locking positions for this model. At upright position or recline to the desired angle and push in lever to lock. Pull out lever to release tilt-lock.
- C Lumbar Height Adjustment (For 1258 & 1259 Model)**
Slide the lumbar support up or down for desired lumbar position.
- D Armrest Height**
Press the button and raise or lower the armrest. Adjust height to adequately support elbows to take strain off shoulders
- E Armpad Angle**
Grasp armpads and rotate them inwards or outwards to adjust elbow support to suite specific tasks. An inward position works during keyboard use, while an outward position is recommended during mousing.
- F Armrest Depth**
Grasp armpads and push them forwards and backwards to suite your arm support.
- G Headrest Height (For 1249/1259 model)**
Adjust height by holding both sides of headrest and pull up or down to your desired height.

