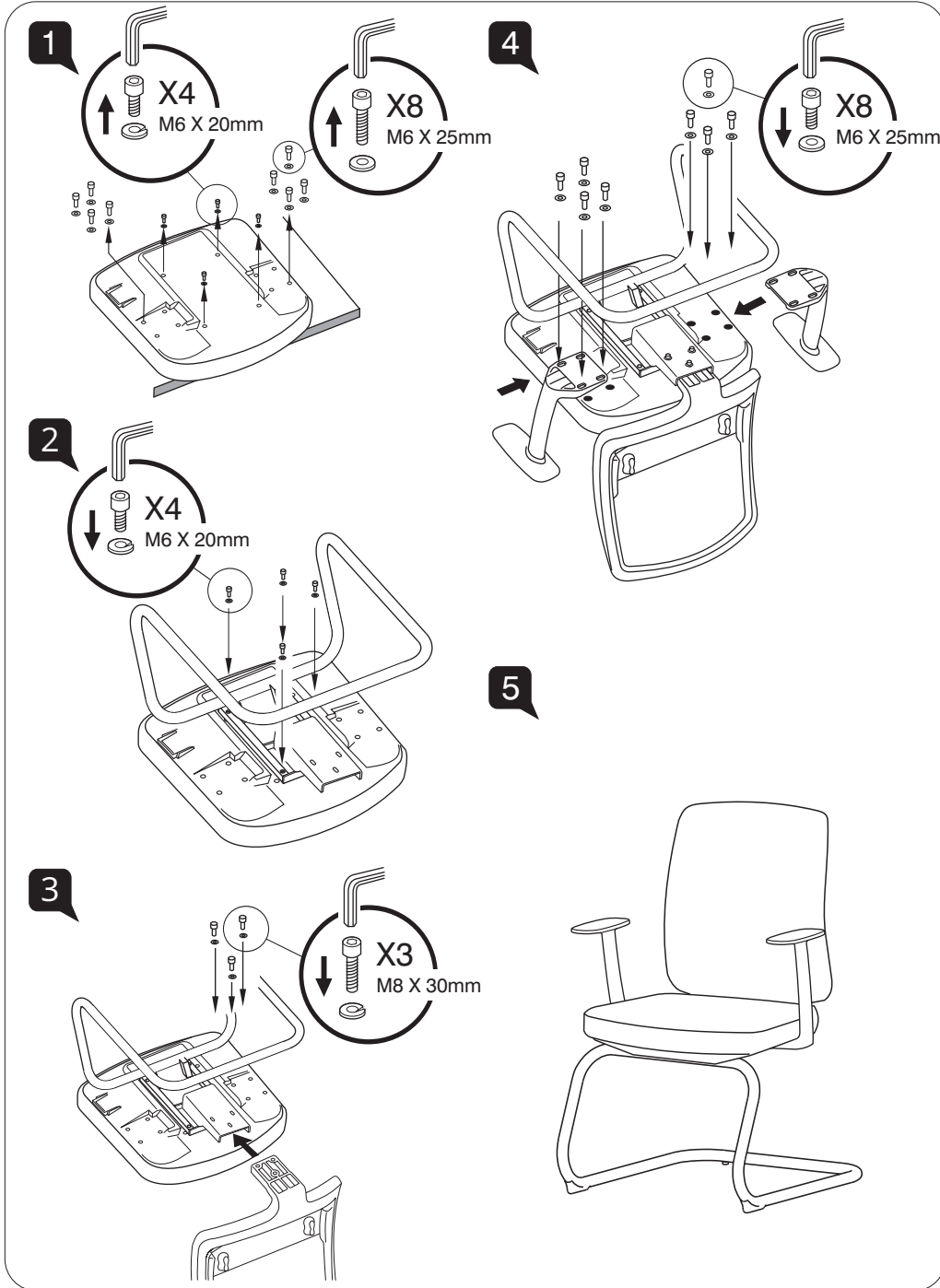


Assembly Instruction



User Instructions

WORK

Models

1241 NA A82 B

1251 NA A82 B

- A Lumbar Height Adjustment** (For 1251 Model)
Slide the lumbar support up or down for desired lumbar position.

