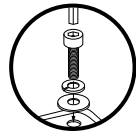
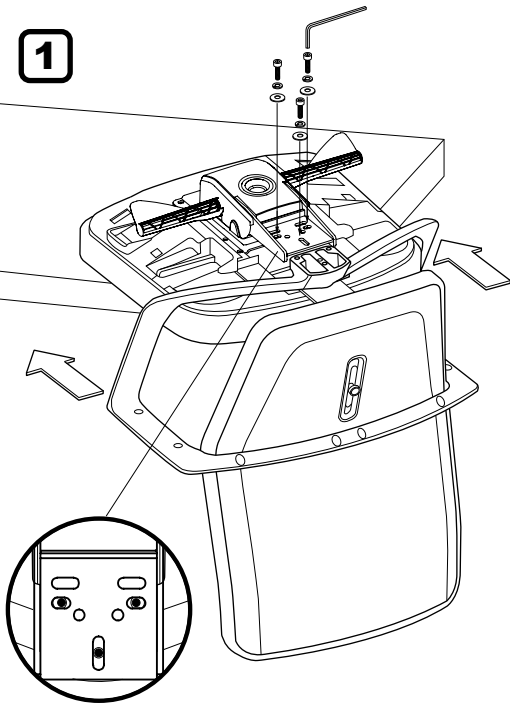
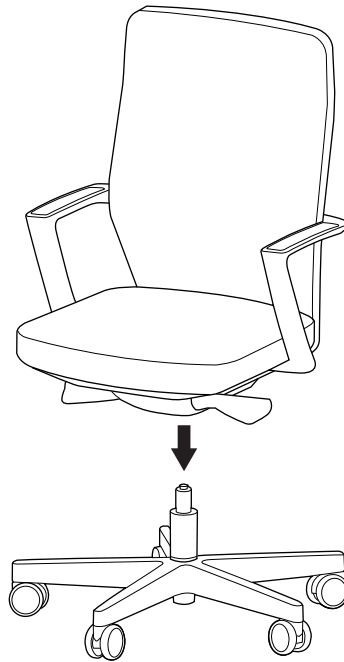


1

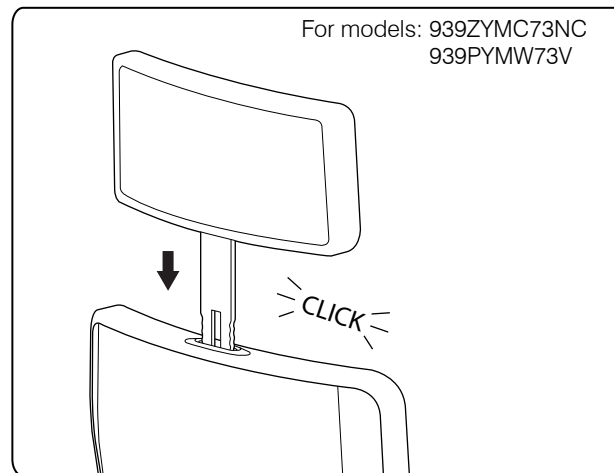
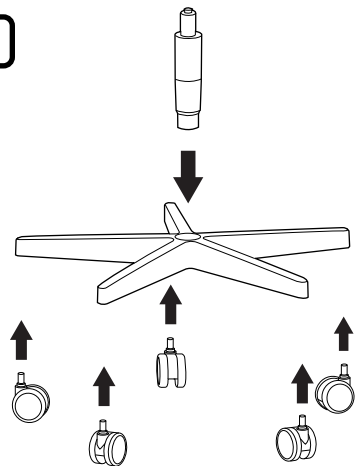


X3
M8 x 25mm

3



2



USER
INSTRUCTIONS

- A Seat Depth Adjustment**
Pull the lever under the right-side of the seat to adjust fore and aft position.
- B Headrest Height Adjustment**
Hold both sides of the headrest and pull up or down to adjust the height. Available for models 939ZYMC73NC and 939PYMW73V only.
- C Lumbar Height Adjustment**
Slide the knob on the lower back-side up or down for desired lumbar position.
- D Multi-Position Tilt Lock**
Recline to desired position and flip down lever to lock. Flip up lever to release tilt-lock.
- E Seat Height Adjustment**
Flip up lever on right-side to raise or lower seat. Adjust such that your feet are adequately supported on floor.

