

MERRYFAIR®



# SYNCHRON

Seating Products

### **Synchron Series**

Synchron series is an enlightened choice for executives, professionals and managers. Fine leather upholstery and majestic designs make it extraordinary and suitable for the finest offices as well as homes. The smooth riding synchronised mechanism allows the occupant to tilt easily from upright to reclined positions, supporting him or her in any posture. The armrests can also be adjusted to suit various requirements.



## Elegance Appealing

Synchron collection provides comfort in seating with various ergonomic features. The multiple locking synchronized mechanism allows the user to tilt easily from upright to reclined position. Its armrests provide options of height, width, depth and direction adjustment for ensuring optimum support.



Model: 56\_



Model: P03\_

The plastic back gives a different tone to the chair. It is adorned with a striped pattern inspired by the zebra.

### Model: 56\_

#### Lumbar Back

The protruding lumbar pad is constructed of super soft foam and provides a healthy sitting posture by tilting the pelvic bone forward. Lumbar height suit majority of the population.

#### Backrest Height Adjustment

Backrest height adjust knob is easily accessible to give the user straight forward adjustment when needed.

#### Base

Standard Studio Base of moulded black polypropylene (100% recycable). Optional Five-star base of diecast aluminium alloy (100% recycable) in polished finish or black epoxy.

#### Armrest

Height adjustable armrest with swivel and depth adjustable plastic armpad. (A78)

#### Mechanism

An advanced synchronized mechanism ensures ergonomics and comfort. All swivel chairs are equipped with these mechanism features: A multi position Tilt-lock allows locking in any recline angle. An adjustable Tilt-pressure knob is located at the bottom of seat to adjust recline force to suit each individual's weight.



**Comfort**

The prominent contrast-colour lumbar pad is a distinguishing design of Synchron Z, and helps to create a healthy sitting posture.

**Flexibility**

Adjustable or fixed arms allow you to tailor the chair according to your needs and budget.

**Appearance**

Its modern appearance and confident character give the chair a strong impression within the office.



Height adjustable backrest is contoured to give optimum support for lumbar and upper back. The feature-rich armrest enable multi-directional adjustment.

### Armrest

3-way adjustable (A78) armrest can adjust for 100mm height range. Fiber-reinforced polyamidematerial (100% recyclable) in black colour.

Armpads can move forward or back and swivels into 3 angular positions to allow the user to rest their arms easily. Polypropylene material (100% recyclable) in black colour.

### Base

Standard Studio Base of moulded black polypropylene (100% recyclable). Optional five-prong base of diecast aluminium alloy (100% recyclable) in polished finish or black epoxy.

### Backrest Height Adjustment

Backrest height adjust knob is easily accessible to give the user straight forward adjustment when needed.



### Mechanism

An advanced synchronized mechanism ensures ergonomics and comfort. All swivel chairs are equipped with these mechanism features: A multi position Tilt-lock allows locking in any recline angle. An adjustable Tilt-pressure knob is located at the bottom of seat to adjust recline force to suit each individual's weight.



Height adjustable backrest for better lumbar support.

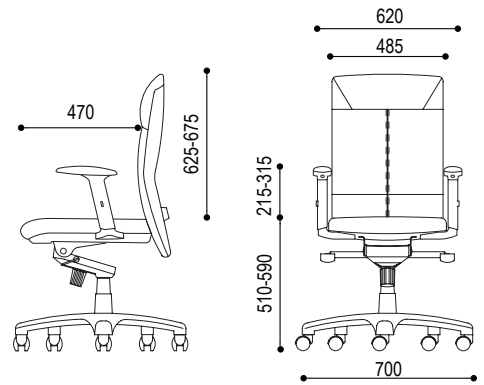


Synchronised mechanism with multiple locking positions enables seating comfort. (YN)

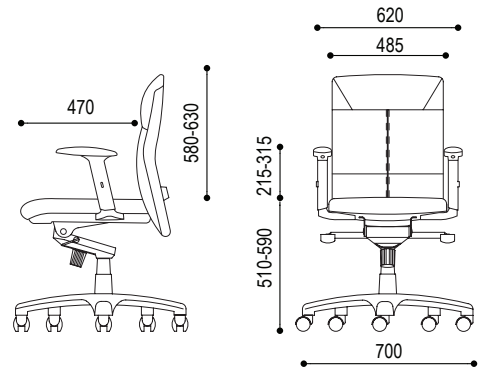


Model: P03\_

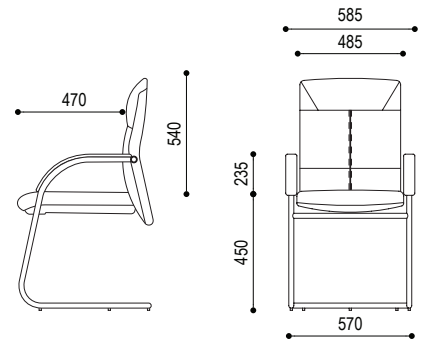
High-back  
P039 YN A78 P



Low-back  
P037 YN A78 P



Visitor  
P031 NA A12 B



Height Adjustable Backrest



Pneumatic Seat  
Height Adjustment



Synchronized Mechanism



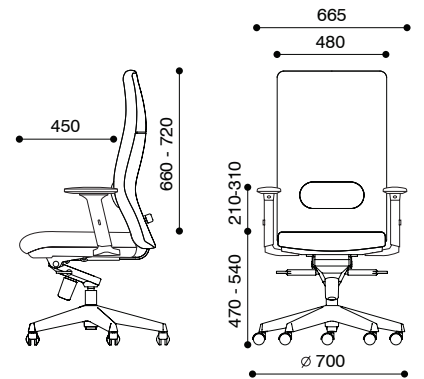
Height-Width Adjustable Armrest



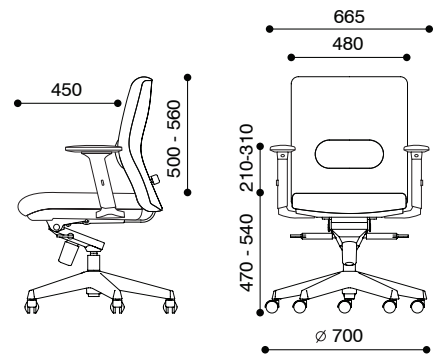
Depth-Angle  
Adjustable Armpad

Model: 56\_

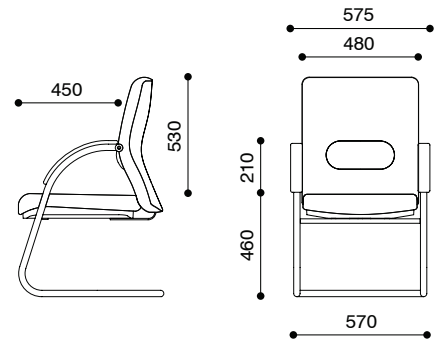
**High Back Swivel Chair**  
569 YN A78 N2



**Low Back Swivel Chair**  
567 YN A78 N2



**Visitor Chair**  
561 NA A12 B



Height Adjustable Backrest



Pneumatic Seat  
Height Adjustment



Synchronized Mechanism



Height Adjustable Armrest



Depth-Angle  
Adjustable Armrest

## Synchron Collection: Options

### Armrest without upholstery

---



Fixed Armrest  
(A82)



Adjustable Armrest  
(A78)

### Mechanism

---



Synchronized  
(YN)

### Base

---



350 STD Base  
(M1)



Aluminium Base  
Polish (P)  
Black (K)  
Silver (K2)



350 Polished  
Aluminium Base  
(VP)



Cantilever Base  
(B)

## HEAD OFFICE & FACTORY

**Merryfair Chair System Sdn Bhd**  
(Co. No. 86276-A)  
No.2, Jalan Koporat 1/KU9,  
Taman Perindustrian Meru,  
42200 Klang, Selangor D.E., Malaysia.

**International Sales & Marketing**  
Tel. +603 3393 2888  
Fax. +603 3393 2000  
enquiry@merryfair.com

**Domestic Sales & Marketing**  
Tel. +603 3393 6868  
Fax. +603 3393 6888  
domestic@merryfair.com

## SHOWROOM OFFICE

**Merryfair Marketing Sdn Bhd**  
(Co. No. 665054-V)  
No. 82-84, Jalan 2/23A,  
Jalan Genting Kelang,  
53300 Kuala Lumpur, Malaysia.  
Tel. +603 4149 8899  
Fax. +603 4143 0113

## REGIONAL OFFICE & SHOWROOM

**美 菲 (中国) 家具有限公司**  
广东省佛山市顺德区容桂华口顺德高新区(容桂)华天路21号  
邮编: 528306  
Merryfair (China) Co.,Ltd  
No. 21, Huatian Road, Shunde High Tech Industrial Zone  
(Ronggui), Huakou Community, Ronggui Subdistrict,  
Shunde District, Foshan City, Guangdong, China 528306.  
Tel. +86 757 2636 9861  
Fax. +86 757 2881 9700  
domestic@merryfair.com.cn

**Merryfair (Singapore) Pte Ltd**  
33 Ubi Avenue 3, #01-52/53 Vertex,  
Singapore 408868.  
Tel. +65 6284 9098  
Fax. +65 6284 9028  
enquiry@merryfair.com.sg

**Merryfair (Thailand) Co.,Ltd.**  
19/1-2 Sithakarn, Soi Chidlom  
Lumpini, Pathumwan  
Bangkok 10330 Thailand  
Tel : +66 2254 1588  
Fax : +66 2254 1585  
sales@merryfair.co.th

[www.merryfair.com](http://www.merryfair.com)

