

STADIUM

Seating Products

Seating Excellence at Work

Merryfair's outdoor stadium seating collection.
Durable seating available in vibrant colours.
Discover the Sporta, Ola, Oahu.



Comfort

The tip-up seat is ergonomically designed for total comfort, even when the fight takes you to the 12th round.

Low Maintenance

The back and seat are of blow-moulded thermoplastic, durable and strong enough to withstand abuse, be it the elements, or over-excited fans.

Sustainability

Sporta is suitable for both indoor and outdoor sports, multipurpose, and school facilities.



Sporta is our stadium seating series that has a more architectural shape for more geometrically styled arenas.

Seat numbering plate of aluminium sheet stamping.

Supporting structure made of steel, finished in epoxy powder coating (60-80 micron thickness). Mounting options: on to riser wall or floor.



Seat and back shells of blow moulded HDPE with additives for minimum 2 year outdoor UV color-fastness.

Seat retraction using gravity (counter weight) and POM (polyacetal) bushings at joints ensure smooth trouble free operation.

Comfort

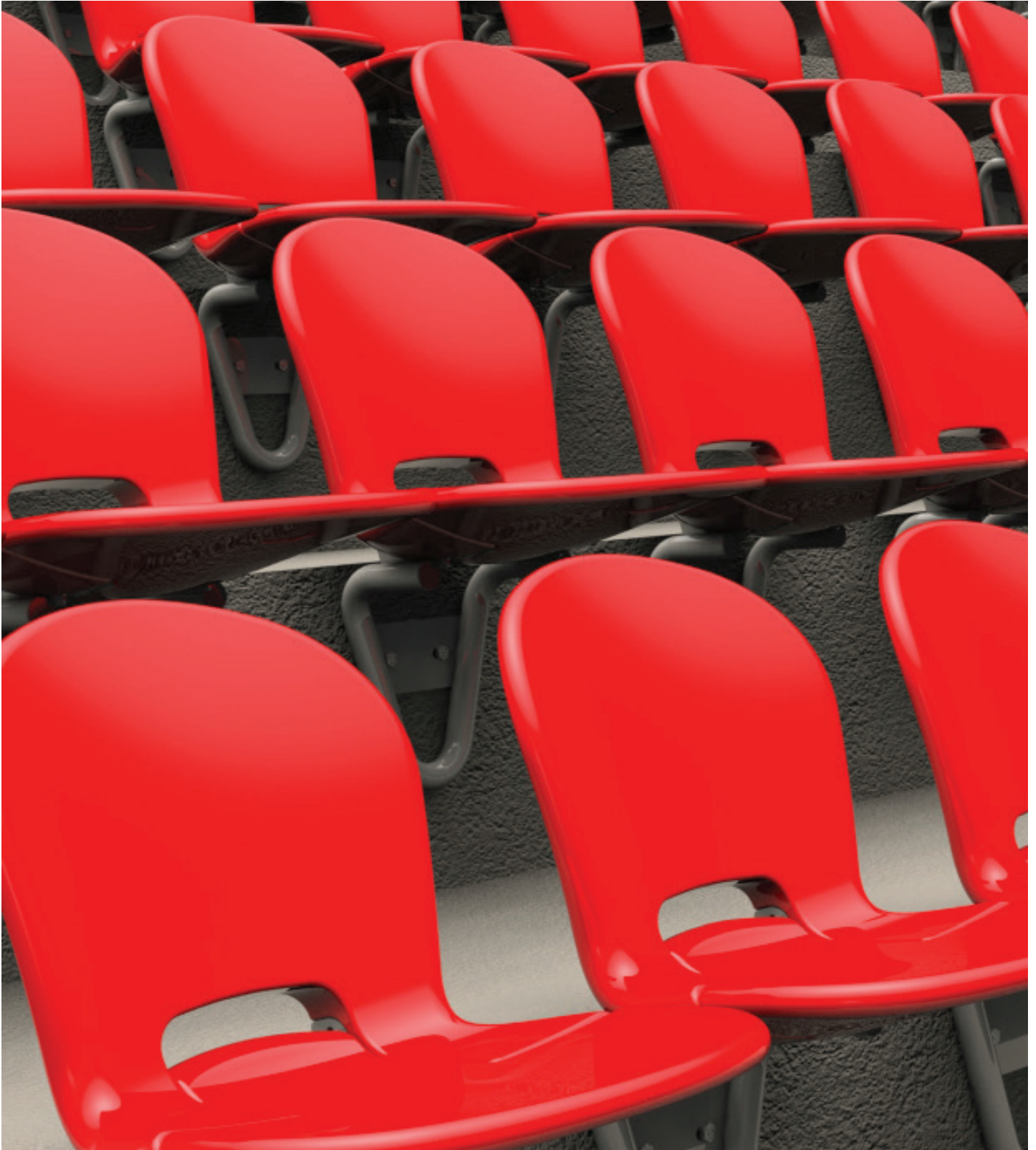
Its organic shape provides both comfort and style to your next sporting event.

Low Maintenance

The back and seat are of blow-moulded thermoplastic, versatile enough to withstand the elements and the fans.

Sustainability

Ola is suitable for both indoor and outdoor sports, multipurpose, and school facilities.



Ola is the curvy one in our line of stadium seating.

Seat numbering plate of aluminium sheet stamping.

Seat and back shells of blow moulded HDPE with additives for minimum 2 year outdoor UV color-fastness.

Seat retraction using gravity (counter weight) and POM (polyacetal) bushings at joints ensure smooth trouble free operation.

Supporting structure made of steel, finished in epoxy powder coating (60-80 micron thickness). Mounting options: on to riser wall or floor.



Comfort

The Oahu one piece seat is great choice for its modularity, ease of installation, and its uncompromising comfort.

Low Maintenance

Its compact dimensions and lack of moving parts make it easy to install in various seating arrangements.

Sustainability

Oahu is suitable for both indoor and outdoor sports, multipurpose, and school facilities.

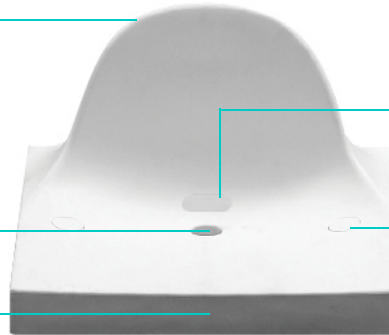


Oahu was inspired by the rippling motion of waves, where the back crests from high to low.

Seat shells of injection-moulded PP (polypropylene) with additives for minimum 2 year outdoor UV color-fastness. Low back (1105) and backless (1101) versions are available.

Hole for rain-water drainage.

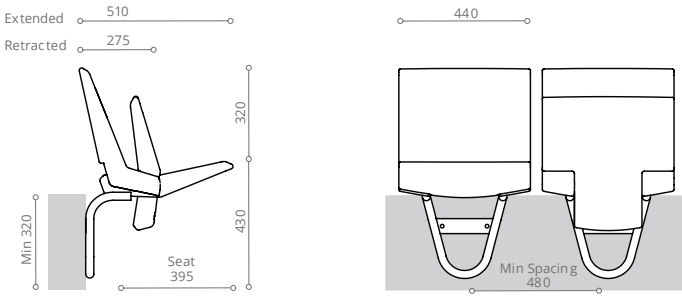
Flush front edge minimises hand grip area to prevent seat from being lifted up by vandals.



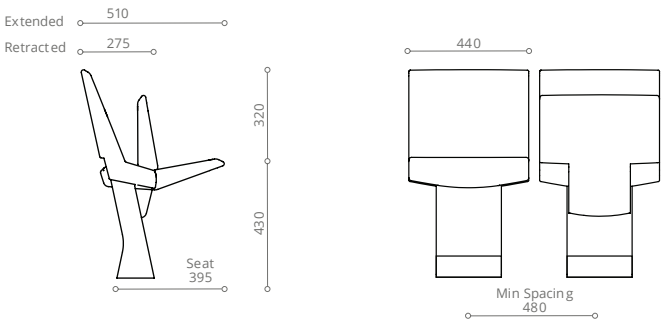
Seat numbering plate of aluminium sheet stamping.

Mounts directly on to step. Mounting holes are covered by flushing fitting caps that cannot be pried off by hand.

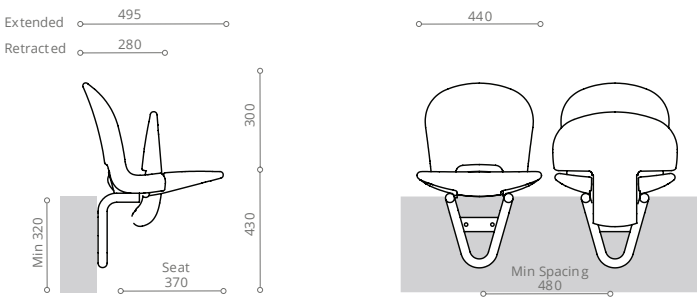
Sporta - Wall Mounted
1085FDA00AJ



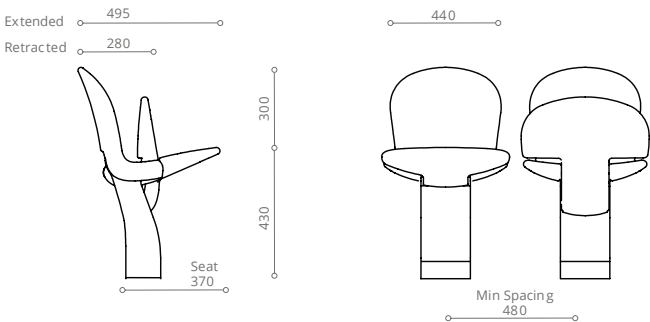
Sporta - Floor Mounted
1085FDA00AH



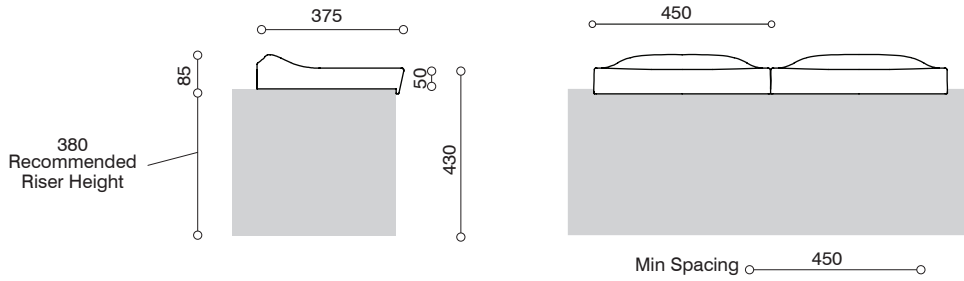
Ola - Wall Mounted
1095FDA00AJ



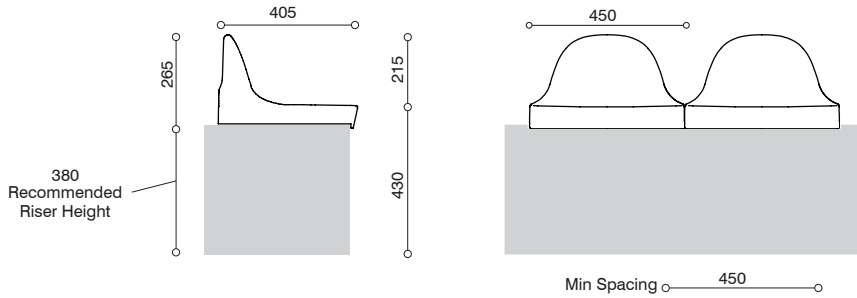
Ola - Floor Mounted
1095FDA00AH



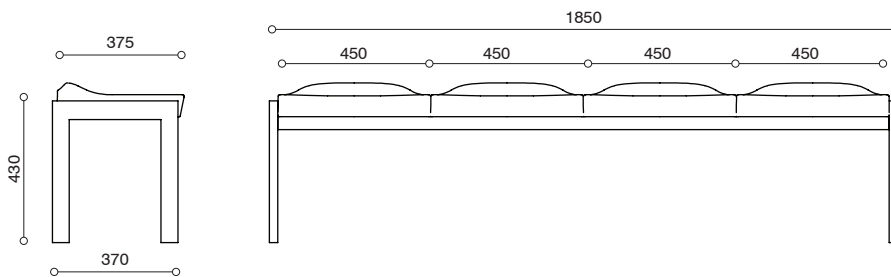
Oahu - Backless
1101NAA00NA



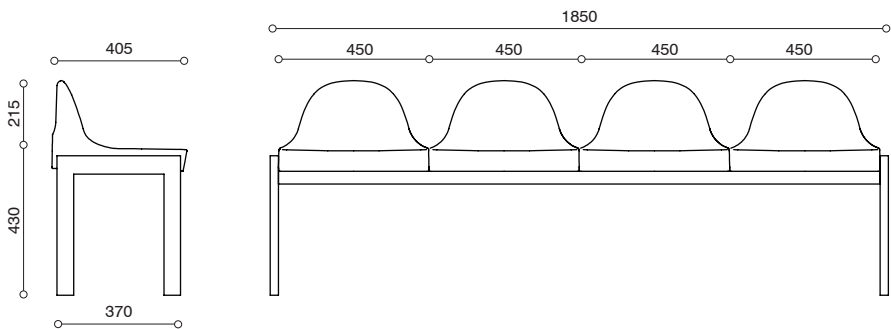
Oahu - Low Back
1105NAA00NA



Oahu - Backless Bench
1101B4A00J



Oahu - Low Back Bench
1105B4A00J



HEAD OFFICE & FACTORY

www.merryfair.com

Merryfair Chair System Sdn Bhd

(Co. No. 86276-A)
No.2, Jalan Koporat 1/KU9,
Taman Perindustrian Meru,
42200 Klang, Selangor D.E., Malaysia.

International Sales & Marketing

Tel. +603 3393 2888
Fax. +603 3393 2000
enquiry@merryfair.com

Domestic Sales & Marketing

Tel. +603 3393 6868
Fax. +603 3393 6888
domestic@merryfair.com

SHOWROOM OFFICE

Merryfair Marketing Sdn Bhd

(Co. No. 665054-V)
No. 82-84, Jalan 2/23A,
Jalan Genting Kelang,
53300 Kuala Lumpur, Malaysia.
Tel. +603 4149 8899
Fax. +603 4143 0113

REGIONAL OFFICE & SHOWROOM

美力菲 (中国) 家具有限公司

广东省佛山市顺德区容桂华口顺德高新区(容桂)华天路21号
邮编: 528306
Merryfair (China) Co.,Ltd
No. 21, Huatian Road, Shunde High Tech Industrial Zone
(Ronggui), Huakou Community, Ronggui Subdistrict,
Shunde District, Foshan City, Guangdong, China 528306.
Tel. +86 757 2636 9861
Fax. +86 757 2881 9700
domestic@merryfair.com.cn

Merryfair (Singapore) Pte Ltd

33 Ubi Avenue 3, #01-52/53 Vertex,
Singapore 408868.
Tel. +65 6284 9098
Fax. +65 6284 9028
enquiry@merryfair.com.sg

Merryfair (Thailand) Co.,Ltd.

19/1-2 Sithakarn, Soi Chidlom
Lumpini, Pathumwan
Bangkok 10330 Thailand
Tel : +66 2254 1588
Fax : +66 2254 1585
sales@merryfair.co.th

