

MERRYFAIR®



OVO

Seating Products

Seating Excellence at Work

Like the Faberge egg, Ovo's exquisite design is unlike most contemporaries. It does not resemble current office design style.



Appearance

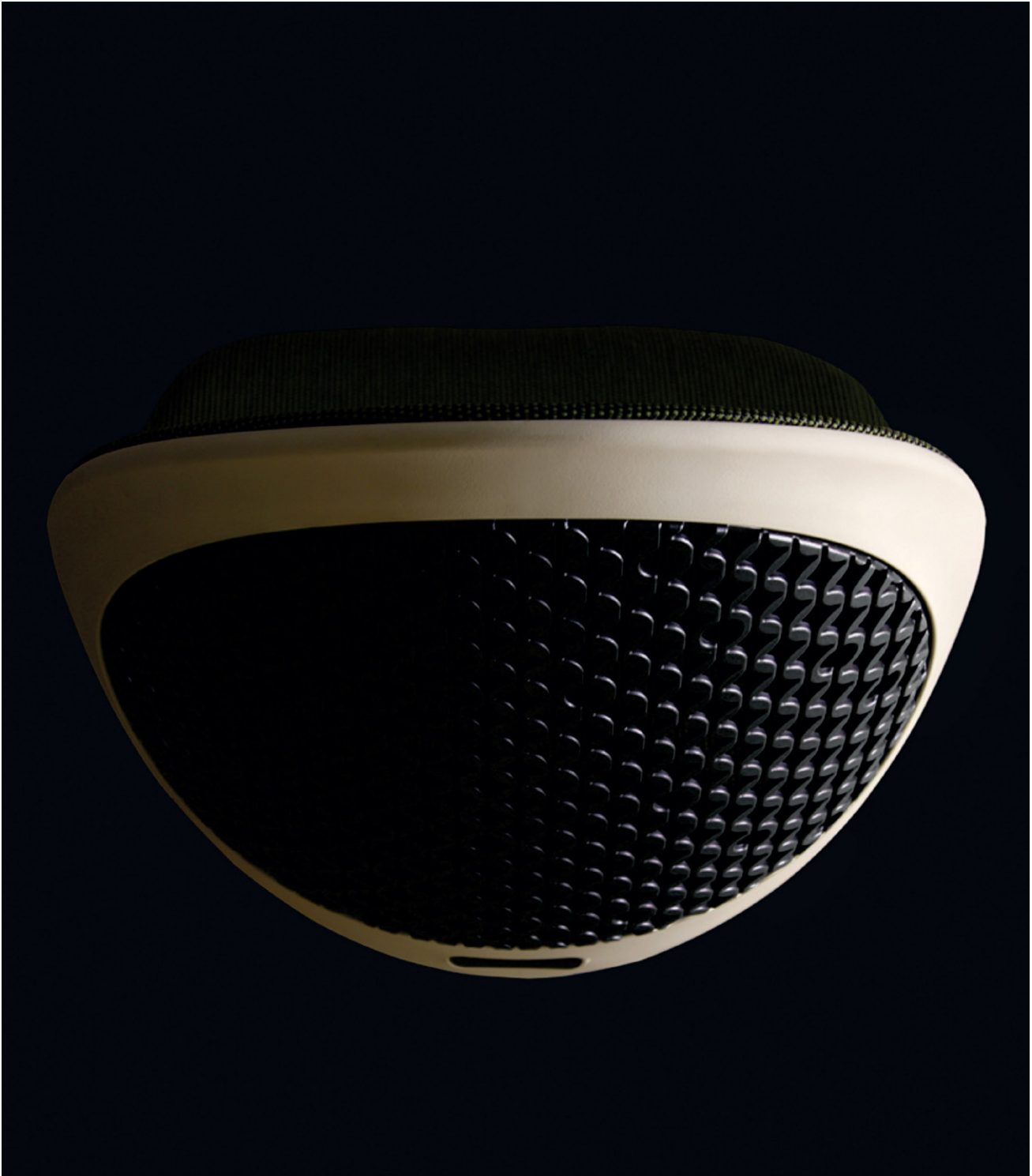
Ovo's mesh surface create a light and airy, yet technical appearance.

Comfort

Ovo's trumpet base with auto-return column makes a design statement in waiting and relaxation lounges.

Sustainability

Ovo's translucent mesh is constructed using high-tensile elastomeric filaments that do not lose tension over time.



2 base options give Ovo very different personalities.

Elastomeric Mesh

Provides elastic support, yet allowing ventilation for airy comfort.

Soft PU Armpad

In an ellipsoid shape eliminates hard edges and elbow sores.

Side Controls

For recline tension, locking and seat height allows adjustment while being seated.



4-way Armrests

Adjusts for height (100mm), width (50mm), depth (60mm), swivel (+/-15)

Synchro Mechanism

Hidden to keep the look clean and completes the egg aesthetic.

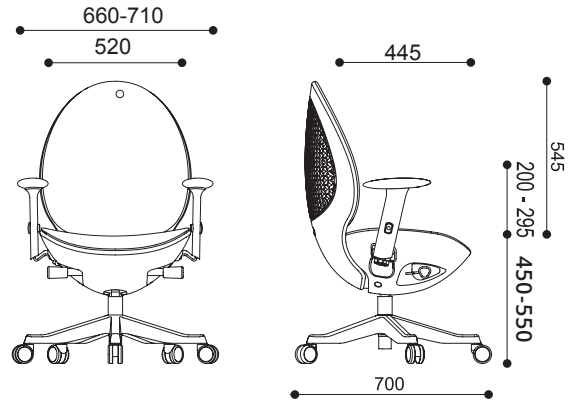
Diecast Alloy Base

Exceptional strength and durability while being 100% recyclable.

Swivel Chair
With Armrest
 667_YJ A66 VB



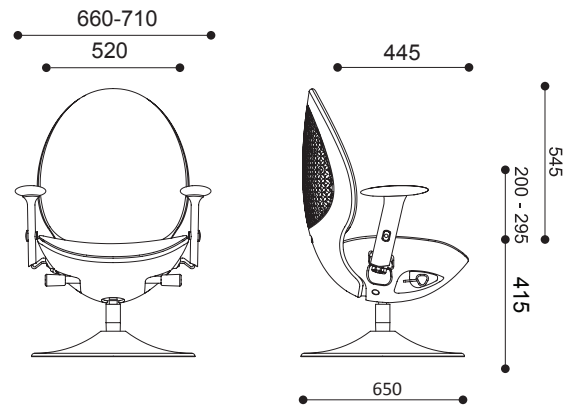
Without Armrest
 667_YJ A00 VB



Visitor Chair
With Armrest
 667_YJ A66 AL



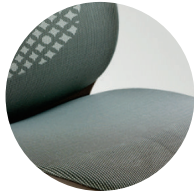
Without Armrest
 667_YJ A00 AL



Ovo: Options Seat Finish



Mesh Back,
Padded Seat



Mesh Back,
Mesh Seat

Base



Black Epoxy Aluminium
(VB)

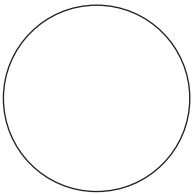


Polished Aluminium
(VP)

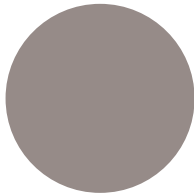


Chromed Metal
(AL)

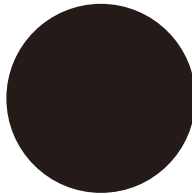
Shell Colours



Pure White
(P)

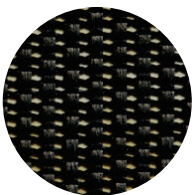


Taupe
(T)

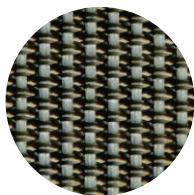


Black
(B)

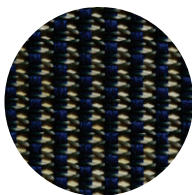
Mesh Colours



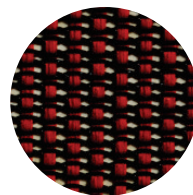
Charcoal
(NW41)



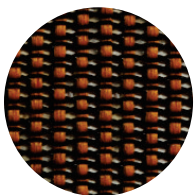
Snowy
(NW42)



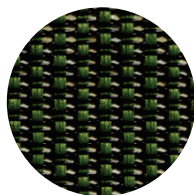
Royal Blue
(NW43)



Deep Red
(NW44)



Mandarin
(NW45)



Olive
(NW46)

HEAD OFFICE & FACTORY

www.merryfair.com

Merryfair Chair System Sdn Bhd

(Co. No. 86276-A)
No.2, Jalan Koporat 1/KU9,
Taman Perindustrian Meru,
42200 Klang, Selangor D.E., Malaysia.

International Sales & Marketing

Tel. +603 3393 2888
Fax. +603 3393 2000
enquiry@merryfair.com

Domestic Sales & Marketing

Tel. +603 3393 6868
Fax. +603 3393 6888
domestic@merryfair.com

SHOWROOM OFFICE

Merryfair Marketing Sdn Bhd

(Co. No. 665054-V)
No. 82-84, Jalan 2/23A,
Jalan Genting Kelang,
53300 Kuala Lumpur, Malaysia.
Tel. +603 4149 8899
Fax. +603 4143 0113

REGIONAL OFFICE & SHOWROOM

美惠菲 (中国) 家具有限公司

广东省佛山市顺德区容桂华口顺德高新区(容桂)华天路21号
邮编: 528306
Merryfair (China) Co.,Ltd
No. 21, Huatian Road, Shunde High Tech Industrial Zone
(Ronggui), Huakou Community, Ronggui Subdistrict,
Shunde District, Foshan City, Guangdong, China 528306.
Tel. +86 757 2636 9861
Fax. +86 757 2881 9700
domestic@merryfair.com.cn

Merryfair (Singapore) Pte Ltd

33 Ubi Avenue 3, #01-52/53 Vertex,
Singapore 408868.
Tel. +65 6284 9098
Fax. +65 6284 9028
enquiry@merryfair.com.sg

Merryfair (Thailand) Co.,Ltd.

19/1-2 Sithakarn, Soi Chidlom
Lumpini, Pathumwan
Bangkok 10330 Thailand
Tel : +66 2254 1588
Fax : +66 2254 1585
sales@merryfair.co.th

MERRYFAIR reserves the right to introduce modifications and withdraw models for continuous improvements without prior notice.

