

MERRYFAIR®



LAGENDA

Seating Products

Appearance

The generously proportioned seat, back and arms combine to offer a modern aesthetic.

Comfort

The shape of the seat and back with anatomic curve ensures a correct, ergonomic position to offer an optimal comfort.

Flexibility

The simple and lightweight design, suitable for classroom, meeting room or seminar hall.

Backrest

Back cushion consists of 38mm thick high density foam. Back shell and cover is moulded in black polypropylene.

Seat

Seat cushion consists of 50mm thick high density foam on a 2-piece shell structure, upholstered in leather or fabric. The seat structural shell is injection-moulded polypropylene in black colour.



Writing Table

Writing tablet surface is injection-moulded of ABS in black colour. Folding linkage and brackets are welded from mild-steel stampings, and finished in black epoxy powder coating.

Armrest

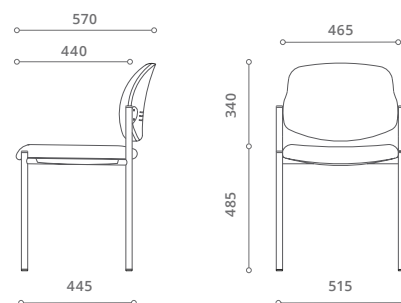
Optional loops armrest is moulded of polypropylene plastic in black colour.

Base

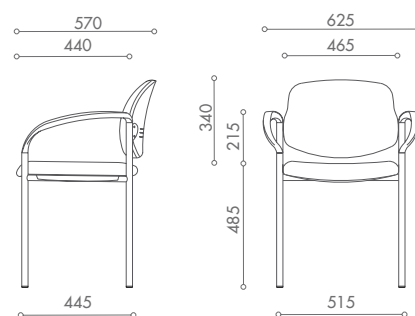
Welded 25.4mm diameter mild steel pipe, finished in black colour epoxy coating. Leg ends capped off with black nylon feet.

The multi-functional four-legged chair with or without armrest, or with writing table.

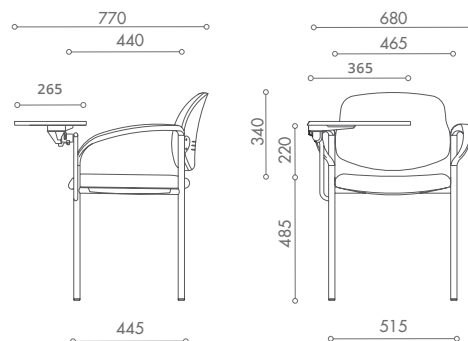
Models:
Without Armrest
G06 NA A00 L



With Armrests
G06 NA A22 L



With Writing Table
G06 NA AW1 L



Options:
Armrest



Without Armrest
 (A00)



With Armrest
 (A22)



Writing Table With Armrest
 (AW1)
 Writing Table With Right Arm Only
 (WR1)
 Writing Table Without Armrest
 (WT1)

HEAD OFFICE & FACTORY

Merryfair Chair System Sdn Bhd
(Co. No. 86276-A)
No.2, Jalan Koporat 1/KU9,
Taman Perindustrian Meru,
42200 Klang, Selangor D.E., Malaysia.

International Sales & Marketing
Tel. +603 3393 2888
Fax. +603 3393 2000
enquiry@merryfair.com

Domestic Sales & Marketing
Tel. +603 3393 6868
Fax. +603 3393 6888
domestic@merryfair.com

SHOWROOM OFFICE

Merryfair Marketing Sdn Bhd
(Co. No. 665054-V)
No. 82-84, Jalan 2/23A,
Jalan Genting Kelang,
53300 Kuala Lumpur, Malaysia.
Tel. +603 4149 8899
Fax. +603 4143 0113

REGIONAL OFFICE & SHOWROOM

美力菲 (中国) 家具有限公司
广东省佛山市顺德区容桂华口顺德高新区(容桂)华天路21号
邮编: 528306
Merryfair (China) Co.,Ltd
No. 21, Huatian Road, Shunde High Tech Industrial Zone
(Ronggui), Huakou Community, Ronggui Subdistrict,
Shunde District, Foshan City, Guangdong, China 528306.
Tel. +86 757 2636 9861
Fax. +86 757 2881 9700
domestic@merryfair.com.cn

Merryfair (Singapore) Pte Ltd
33 Ubi Avenue 3, #01-52/53 Vertex,
Singapore 408868.
Tel. +65 6284 9098
Fax. +65 6284 9028
enquiry@merryfair.com.sg

Merryfair (Thailand) Co.,Ltd.
19/1-2 Sithakarn, Soi Chidlom
Lumpini, Pathumwan
Bangkok 10330 Thailand
Tel : +66 2254 1588
Fax : +66 2254 1585
sales@merryfair.co.th

www.merryfair.com

