

MERRYFAIR®



KADEN

Seating Products

Seating Excellence at Work

Active seating can redefine your sitting experience. Instant comfort, easy height adjustment, and enhanced mobility. KADEN is designed to create a healthier and more comfortable experience throughout your work day.





Featuring smart and stylish design, KADEN aims to provide an enhanced seating experience at work, especially in the medical and lab environments. Sturdy design with added back support, KADEN is ideal for practically any sideways or forward-leaning tasks.

Back

Grey or green polypropylene shell (100% recyclable) for ease of cleaning.

Back Frame

Robust glass fibre-filled (100% recyclable) polypropylene frame in white colour.

Mechanism

3D Tilt

A revolutionary 3D tilt mechanism creates a sitting sensation akin to balancing on a stability ball. This gives the feeling of unrestricted movement.

Spring-Head

An optional Spring-Head mechanism with an upright position lock is available. Pneumatically adjusted seat height.

Convenience Bar

Sturdy handle for moving chair around. Also doubles as a coat or bag hanger.

Seat Upholstery

PVC Surface

Durable and low maintenance PVC allows for use in multiple environments.

Fabric Surface

Variety of colours available. Recyclable into carpet padding, wadding, etc.

Silicone Leather Surface

Optional Silicone leather is available for use in environments where cleanliness is crucial. Its features include chemical, UV light, hydrolysis, mildew, and abrasion resistance. It also has anti-fouling, flame retardant, and anti-allergic properties.

Base

Durable Five star white polypropylene N3 base. (100% recyclable)



3D Tilt Mechanism



Spring-Head Mechanism

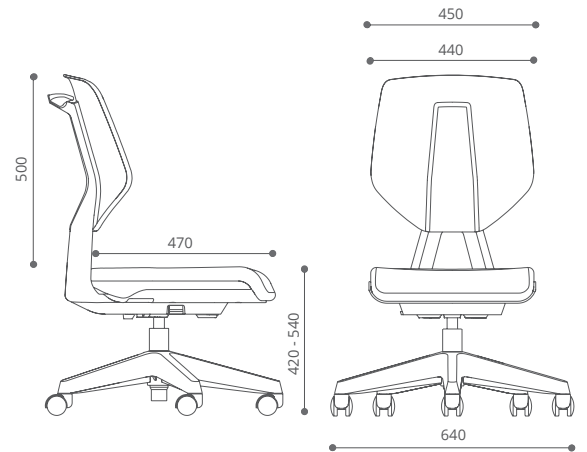


Pneumatic Seat Height Adjustment

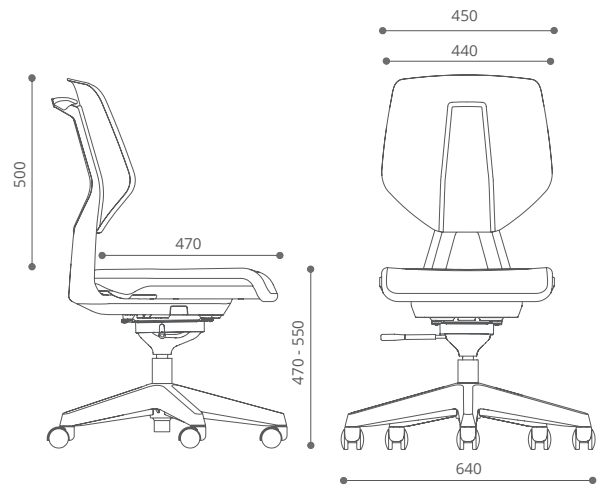
Design lives within the lines.
No one can say that this chair
appears “utilitarian”.



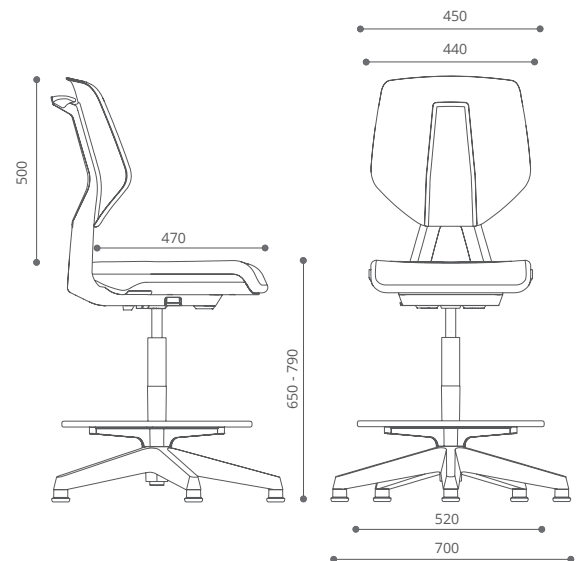
Swivel Chair
1167P NA A00 N3



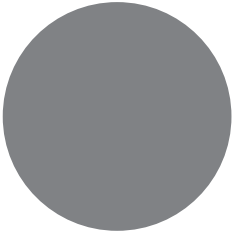
Swivel 3D Tilt Chair
1167P H3 A00 N3



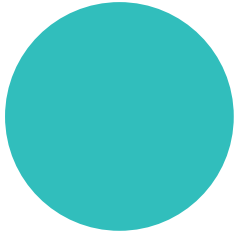
Swivel High Chair
1167P NA A00 N2 D2



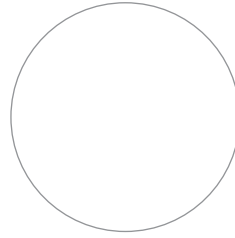
Kaden: Options Backshell Colour



Grey



Green



Pure White

Standard Backbone and Seat Shell

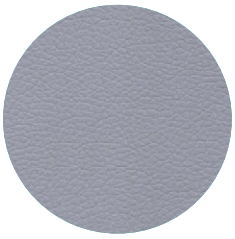
Seat Upholstery Options



PVC



Fabric



Silicone Leather

Mechanism

**3D Tilt Mechanism***
(H3)**Spring-Head Mechanism***
(SJ)

* Not advisable for use with drafting chair version.

HEAD OFFICE & FACTORY

www.merryfair.com

Merryfair Chair System Sdn Bhd

(Co. No. 86276-A)
No.2, Jalan Koporat 1/KU9,
Taman Perindustrian Meru,
42200 Klang, Selangor D.E., Malaysia.

International Sales & Marketing

Tel. +603 3393 2888
Fax. +603 3393 2000
enquiry@merryfair.com

Domestic Sales & Marketing

Tel. +603 3393 6868
Fax. +603 3393 6888
domestic@merryfair.com

SHOWROOM OFFICE

Merryfair Marketing Sdn Bhd

(Co. No. 665054-V)
No. 82-84, Jalan 2/23A,
Jalan Genting Kelang,
53300 Kuala Lumpur, Malaysia.
Tel. +603 4149 8899
Fax. +603 4143 0113

REGIONAL OFFICE & SHOWROOM

美力菲 (中国) 家具有限公司

广东省佛山市顺德区容桂华口顺德高新区(容桂)华天路21号
邮编: 528306
Merryfair (China) Co.,Ltd
No. 21, Huatian Road, Shunde High Tech Industrial Zone
(Ronggui), Huakou Community, Ronggui Subdistrict,
Shunde District, Foshan City, Guangdong, China 528306.
Tel. +86 757 2636 9861
Fax. +86 757 2881 9700
domestic@merryfair.com.cn

Merryfair (Singapore) Pte Ltd

33 Ubi Avenue 3, #01-52/53 Vertex,
Singapore 408868.
Tel. +65 6284 9098
Fax. +65 6284 9028
enquiry@merryfair.com.sg

Merryfair (Thailand) Co.,Ltd.

19/1-2 Sithakarn, Soi Chidlom
Lumpini, Pathumwan
Bangkok 10330 Thailand
Tel : +66 2254 1588
Fax : +66 2254 1585
sales@merryfair.co.th

MERRYFAIR reserves the right to introduce modifications and withdraw models for continuous improvements without prior notice.

