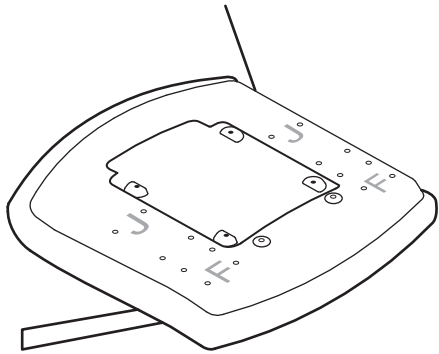


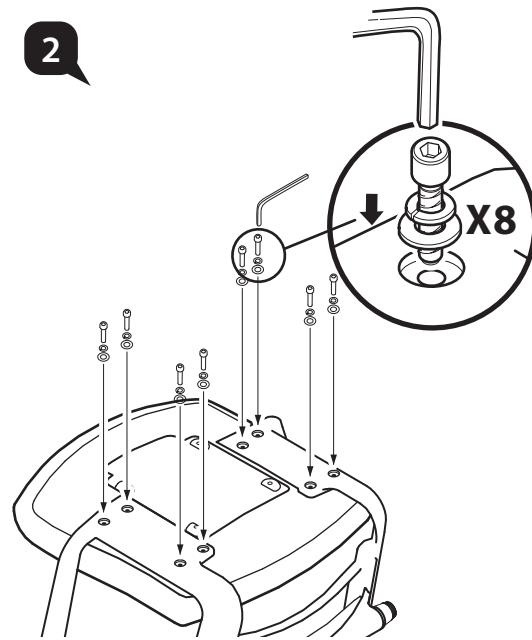
Assembly Instruction

MERRYFAIR®

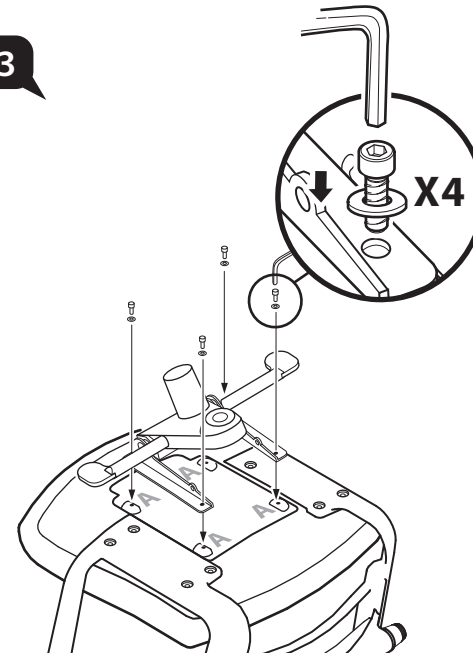
1



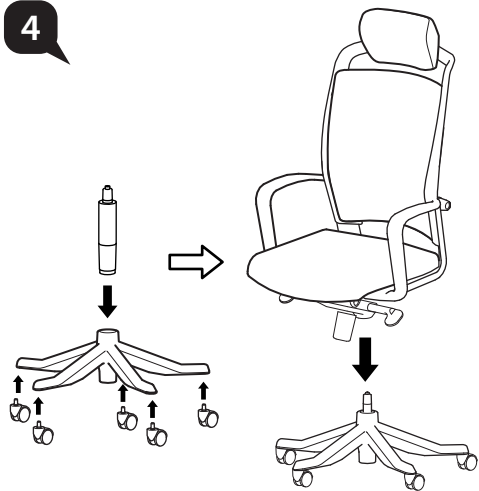
2



3

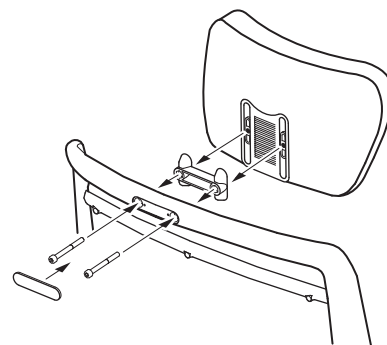


4



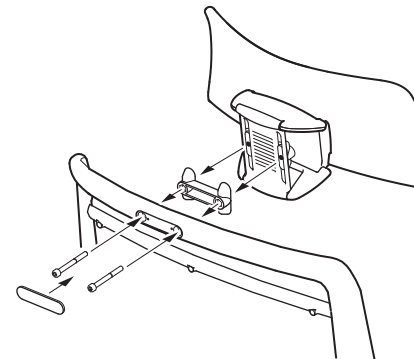
5

P069 model only



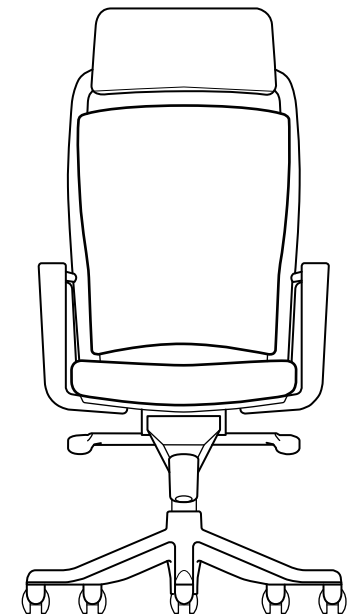
P079 model only

or



Fulkrum

models: P079 KT A34 V
P069 KT A34 V
P068 KT A34 V
P067 KT A34 V



User Instructions

MERRYFAIR®

A *Seat Height Adjustment*

Flip up lever on right-side to raise or lower set. Adjust such that your feet are adequately supported on floor.

B *Multi-Position Tilt Lock*

Recline to the desired position, and flip down lever on left-side to lock. Flip up lever, and recline backwards to release tilt-lock.

C *Tilt Tension Control*

Turn bottom knob clockwise to provide a stronger tilt tension, and vice-versa. Adjust such that minimum effort is required to push back when reclining.

D *Adjustable Lumbar Depth*

Turn knobs on either side of back-frame to adjust depth of lumbar-support cushion. A slack mesh-back is normal and may be tensioned by adjusting the cushion forwards.

E *Adjustable Headrest Height (P079 and P069 models only)*

Hold head-rest by both sides and pull up or push down to the desired height.

Fulkrum

models: P079 KT A34 V
P069 KT A34 V
P068 KT A34 V
P067 KT A34 V

