

MERRYFAIR®



**ESIE**

Seating Products

### **Seating Excellence at Work**

The ability to mix & match different components allow Esie to meet various office seating requirements.



**Comfort**

Esie support a range of postures and work styles typical of today's workspace.

**Flexibility**

The Esie mesh chair adjusts to people easily and equitably.

**Appearance**

With its clean slender look, it has an understated elegance that sets it apart as a true original.





Esie's movement concept is simplicity itself and intergrated into the design.

### Back Frame

Black Nylon fibre back frame provide flexs comfortably as you lean back.

### Backrest

A breathable polyester mesh suspension allows improved ventilation, to provide exceptional themal comfort.

### Seat

The 3-D contour of the seat cushion provide a comfort seat during working.

### Chair Mechanism

Advanced swivel-tilt mechanism provide tilt tension control, multi-position tilt lock, and pneumatic seat height control.

Basic Swivel-tilt chair employ a Spring-Head mechanism with 2-position Tilt Lock and pneumatic seat height control.



### Soft-Back

Cushion on backrest creating more comfort touch on our back.

### Lumbar Support

Stretchable lumbar support can be freely fit to your spinal curve.

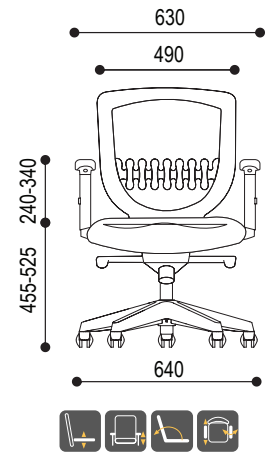
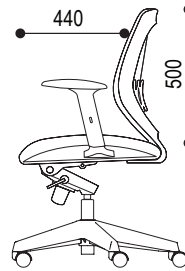
### Armrest

4-way armrest adjusts for 10cm in height, 6cm in depth can swivel into 3 angular positions and 5cm in width.

### Soft-back with Adjustable Armrest



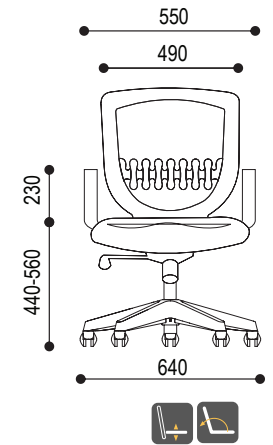
367 KT A4S N3



### Cool-back with Styling Loop Armrest



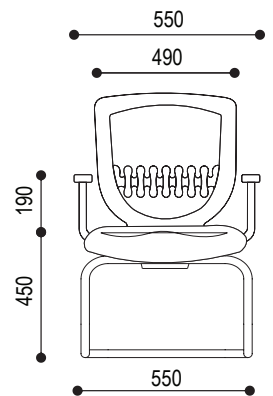
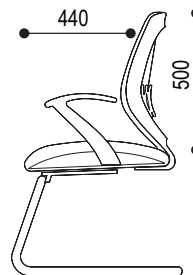
367 SH A15 N3



### Cool-back visitor



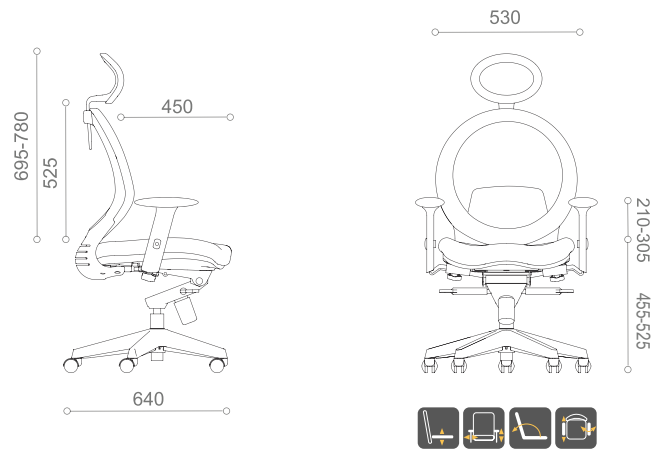
361 NA A05 B



### Task Swivel Chair with Headrest



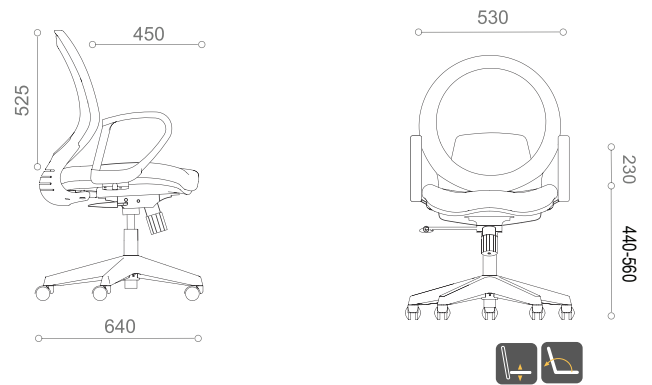
679 KT A66 N3



### Task Swivel Chair



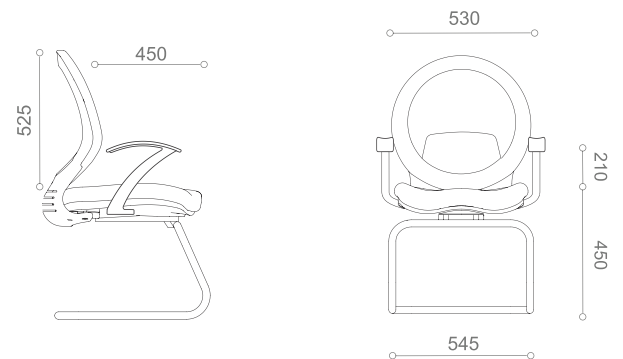
677 SH A15 N3



### Visitor Chair



671 NA A05 B



**Esie: Options**  
**Backrest**



Mesh Backrest



Padded Backrest

---

**Armrest**



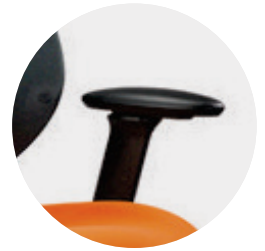
Loop Armrest  
(A15)



Adjustable Armrest  
(A4S)



Styling Armrest  
(A05)



Adjustable Armrest  
with PU Armpad  
(A66)

---



## Mechanism



Spring head mechanism  
(SH)



Knee Tilt mechanism  
(KT)

---

## Base



320 Studio Base  
(N3)



Cantilever Base  
(B)

---

## Features



Pneumatic Seat Height  
Adjustment



Knee Tilt Mechanism



Spring Head Mechanism



Height-Width Adjustable  
Armrest



Depth-Angle Adjustable  
Armpad

---





## HEAD OFFICE & FACTORY

**Merryfair Chair System Sdn Bhd**  
(Co. No. 86276-A)  
No.2, Jalan Koporat 1/KU9,  
Taman Perindustrian Meru,  
42200 Klang, Selangor D.E., Malaysia.

**International Sales & Marketing**  
Tel. +603 3393 2888  
Fax. +603 3393 2000  
enquiry@merryfair.com

**Domestic Sales & Marketing**  
Tel. +603 3393 6868  
Fax. +603 3393 6888  
domestic@merryfair.com

## SHOWROOM OFFICE

**Merryfair Marketing Sdn Bhd**  
(Co. No. 665054-V)  
No. 82-84, Jalan 2/23A,  
Jalan Genting Kelang,  
53300 Kuala Lumpur, Malaysia.  
Tel. +603 4149 8899  
Fax. +603 4143 0113

## REGIONAL OFFICE & SHOWROOM

**美力菲 (中国) 家具有限公司**  
广东省佛山市顺德区容桂华口顺德高新区(容桂)华天路21号  
邮编: 528306  
Merryfair (China) Co.,Ltd  
No. 21, Huatian Road, Shunde High Tech Industrial Zone  
(Ronggui), Huakou Community, Ronggui Subdistrict,  
Shunde District, Foshan City, Guangdong, China 528306.  
Tel. +86 757 2636 9861  
Fax. +86 757 2881 9700  
domestic@merryfair.com.cn

**Merryfair (Singapore) Pte Ltd**  
33 Ubi Avenue 3, #01-52/53 Vertex,  
Singapore 408868.  
Tel. +65 6284 9098  
Fax. +65 6284 9028  
enquiry@merryfair.com.sg

**Merryfair (Thailand) Co.,Ltd.**  
19/1-2 Sithakarn, Soi Chidlom  
Lumpini, Pathumwan  
Bangkok 10330 Thailand  
Tel : +66 2254 1588  
Fax : +66 2254 1585  
sales@merryfair.co.th

[www.merryfair.com](http://www.merryfair.com)

