

MERRYFAIR®



GROM

Desk Elements



Seating Excellence at Work

Grom is a contemporary and versatile take on the traditional classroom desk. Its' svelte and light stance makes it easy for users to reconfigure, stack, and store away. Despite its' slim appearance, **Grom** is made of highly durable materials and its' frame is designed from utmost stability. These are the traits that make it an unmatched addition to the classroom.

SHOTS CUSTOM
SYRUP DRINK
MILK DECAF

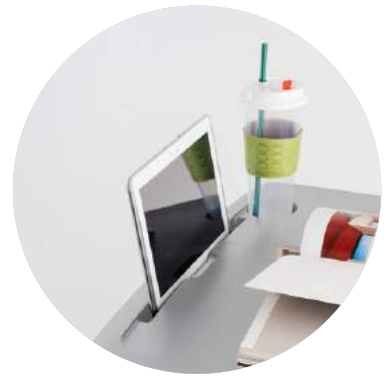
Careful the beverage you are about to enjoy is extremely hot





Visual Lightness

Grom cuts svelte profile, giving the appearance of a roomier classroom. Its lines are sleek and purposeful, yet designed to withstand daily classroom battering.



Stackability

Stackability is a huge advantage in maximizing limited classroom space. Stacking desks gives you the versatility to reconfigure your classroom space, adding, removing and storing as needed.



Portability

Grom's lightweight allows the user to easily change their classroom configuration rapidly. We also make it easier to store away stacked desks with our optional desk trolley.

Grom thrives in a highly dynamic space, and its' characteristics allow you to manage the everchanging needs of your classroom.

Cubbyhole

An optional storage area for personal belongings. Made of 100% recyclable injection moulded polypropylene.

Tabletop

The tabletop is mounted on a frame work of durable bent steel. There are 3 horizontal cross bars to ensure proper support and stability of the table top. It is made of 8mm injection moulded ABS and is 100% recyclable. Our highly durable material provides solid structural integrity, impact and abrasion resistance, and minimum maintenance. A slot is available for tablet or mobile devices. A cup holder is also provided.



Glides

Glides in black 100% recyclable polypropylene are mounted on the frame. 4 glides located at the bottom of the frame for extra floor protection, and another 4 at the upper frame for stackable protection.

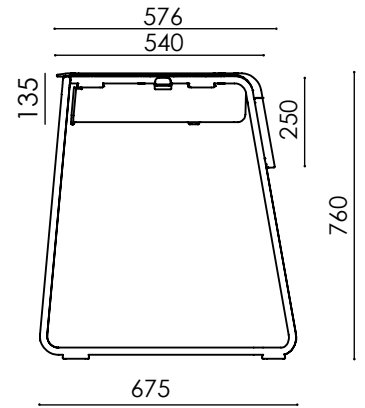
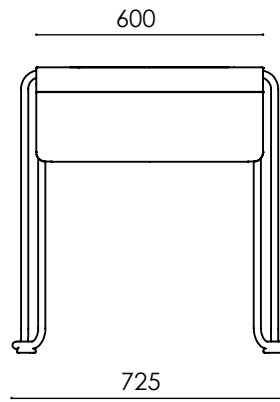
Table Frame

The table frame is a sled design. The steel tube is available in Ø 19mm. Base finishing comes in silver epoxy, 100% recyclable.

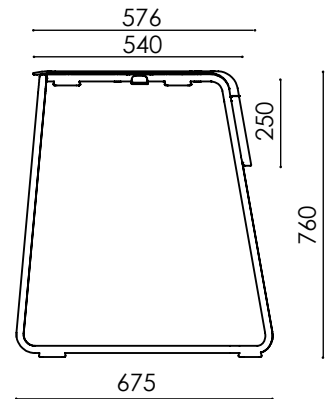
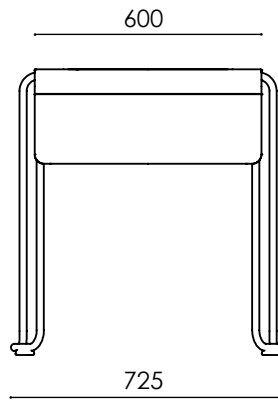
Sliding Adjustable Bracket

An optional sliding bracket to accommodate various hangable items.

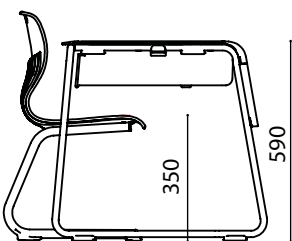
TBLSET0020



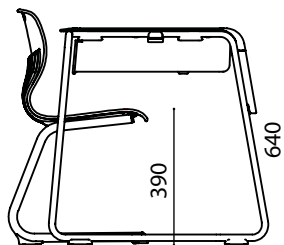
TBLSET0021



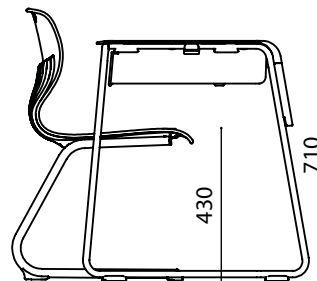
Recommended Chair and Table Guide



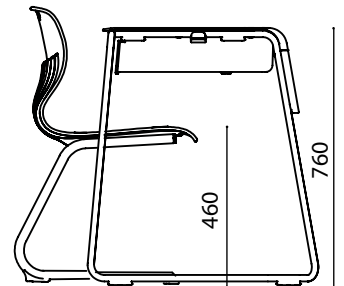
Size 3
Age 6 - 8



Size 4
Age 8 - 11



Size 5
Age 11 - 14

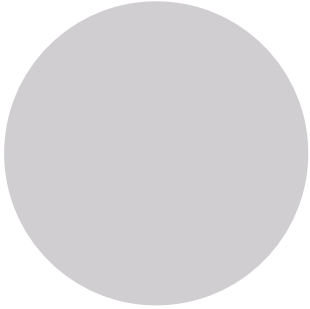


Size 6
Age >14

* Size 1 & Size 2 not Recommended
* Based on Mata chair Size 3 to Size 6

Colour Options

Table Colour



Silver
(S)

Frame Colour



Silver Epoxy
(S)

Accessories Options



Sliding Adjustable Bracket



Trolley T6





HEAD OFFICE & FACTORY

www.merryfair.com

Merryfair Chair System Sdn Bhd

(Co. No. 86276-A)
No.2, Jalan Koporat 1/KU9,
Taman Perindustrian Meru,
42200 Klang, Selangor D.E., Malaysia.

International Sales & Marketing

Tel. +603 3393 2888
Fax. +603 3393 2000
enquiry@merryfair.com

Domestic Sales & Marketing

Tel. +603 3393 6868
Fax. +603 3393 6888
domestic@merryfair.com

SHOWROOM OFFICE

Merryfair Marketing Sdn Bhd

(Co. No. 665054-V)
No. 82-84, Jalan 2/23A,
Jalan Genting Kelang,
53300 Kuala Lumpur, Malaysia.
Tel. +603 4149 8899
Fax. +603 4143 0113

REGIONAL OFFICE & SHOWROOM

美惠菲 (中国) 家具有限公司

广东省佛山市顺德区容桂华口顺德高新区(容桂)华天路21号
邮编: 528306
Merryfair (China) Co.,Ltd
No. 21, Huatian Road, Shunde High Tech Industrial Zone
(Ronggui), Huakou Community, Ronggui Subdistrict,
Shunde District, Foshan City, Guangdong, China 528306.
Tel. +86 757 2636 9861
Fax. +86 757 2881 9700
domestic@merryfair.com.cn

Merryfair (Singapore) Pte Ltd

33 Ubi Avenue 3, #01-52/53 Vertex,
Singapore 408868.
Tel. +65 6284 9098
Fax. +65 6284 9028
enquiry@merryfair.com.sg

Merryfair (Thailand) Co.,Ltd

Thai Samut Building
Ground Floor, 163 Surawongse Road,
Bangrak, Bangkok 10500 Thailand.
Tel. +66 2266 3855
Fax. +66 2266 3859
sales@merryfair.co.th

