

# MATA

# MERRYFAIR®

Seating Products



## **Seating Excellence at Work**

The ever popular Mata welcomes new additions to its family — Mata offsprings.



### Comfort

For 10 years, Mata has proven its comfort, durability and design appeal, and now, children can enjoy the same qualities as well.

### Low Maintenance

Designed following EN-1729 standards, these chairs serve child-care, pre-school and elementary school facilities perfectly.

### Sustainability

Mata is designed as multi-purpose chair suitable for cafes, bistros, labs, waiting and SOHO.

### Shell Structure

Single-piece shell of injection-moulded polypropylene in 7 standard colour options. Backrest is designed for flexible movement and with lumbar curvature.



### Arm Structure

Mild steel framework, finished in silver-colour epoxy coating.

### Mechanism

Hillie Box mechanism for lever operated seat height adjustment. Mechanism body made of die-cast aluminium finished in black epoxy, lever of painted steel, and handle moulded of polypropylene.

### Base

Five-point base moulded in black polypropylene, with a diameter of 600mm. Five castor wheels moulded in black Nylon.



### Stacking Chair

5 frames available



4 Leg  
G05?\* NA A00 H



4 Leg with arm  
G05?\* NA A21 H



Reverse Cantilever  
G05?\* NA A00 Z



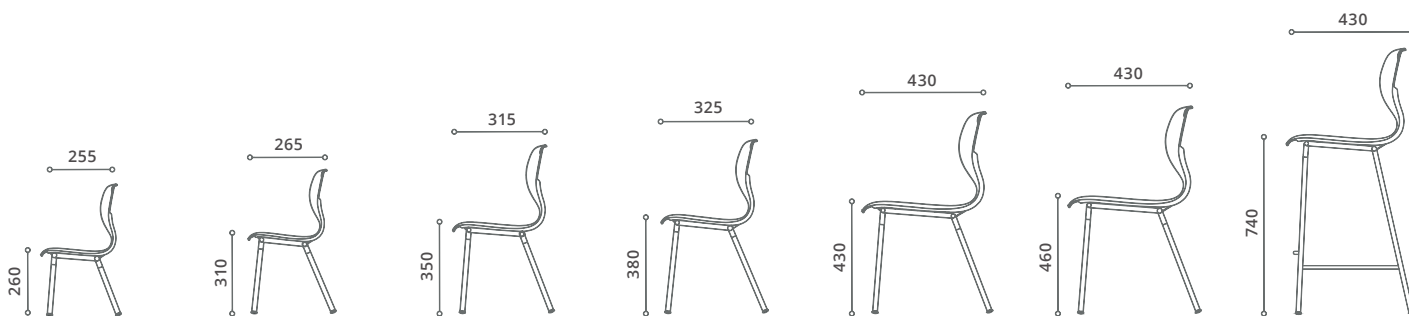
4 Leg Bar Chair  
G056\* NA A00 HH



4 Leg Bar Chair with Arm  
G056\* NA A21 HH

### 7 Sizes

From Toddler to Adult



Size 1  
Age 3-4  
G051\*NAAOOH

Size 2  
Age 4-6  
G052\*NAAOOH

Size 3  
Age 6-8  
G053\*NAAOOH

Size 4  
Age 8-11  
G054\*NAAOOH

Size 5  
Age 11-14  
G055\*NAAOOH

Size 6  
Age >14  
G056\*NAAOOH

Bar Chair  
G056\*NAAOOHH

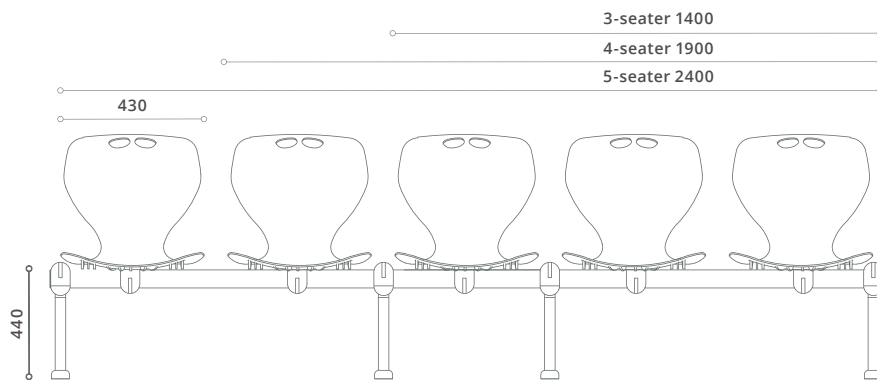
### Link Chair



3-Seater  
G056\*B3A00J

4-Seater  
G056\*B4A00J

5-Seater  
G056\*B5A00J



## Swivel Chair

2 sizes available



Size 4  
Swivel Chair  
G054\*HBA00M3



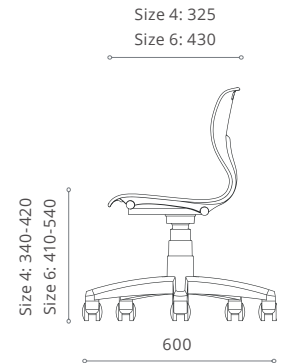
Size 4  
Swivel Chair with Arm  
G054\*HBA21M3



Size 6  
Swivel Chair  
G056\*HBA00M3



Size 6  
Swivel Chair with arm  
G056\*HBA21M3



### Features:

#### Stacking Chair, Linked Chair, Swivel Chairs



Stackable chairs for general multi-purpose seating. 4 leg and reverse cantilever leg versions are stackable. Reverse cantilever allows chair to be placed on top of table for ease of floor cleaning.



Swivel chair for workstation seating. A height-adjustable swivel mechanism running on castors ensures excellent fit and mobility.



Linked for public seating. The beam supported system is available as 3,4 and 5 seaters.

### Padding Options

#### Stacking Chair, Linked Chair, Swivel Chairs



Padded Seat  
for size 5 and 6 only

Size 5  
G045\* NAA\_\_?

Size 6  
G046\* NAA\_\_?

## Stool Chair

4 sizes available



Size 1  
1316\*NAA00H



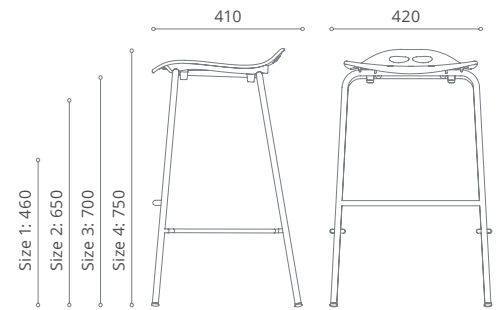
Size 2  
1317\*NAA00HH



Size 3  
1318\*NAA00HH



Size 4  
1319\*NAA00HH

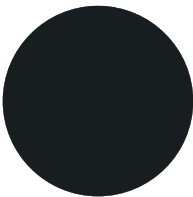


### Features: Stool Chair

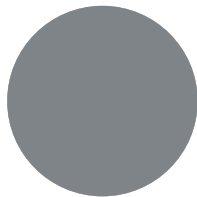


Soft stacking studs ensure stable and secure vertical stacking. The studs also prevent the chair shell from abrasion during storage.

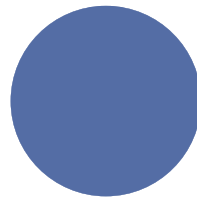
### Color Options



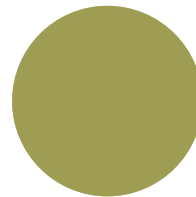
Black  
(B)



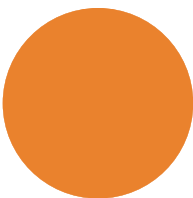
Grey  
(G)



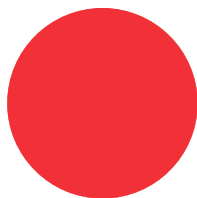
Blue  
(U)



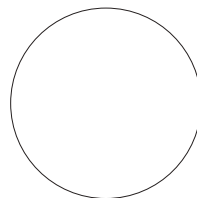
Olive  
(L)



Mango  
(M)



Red  
(R)



White  
(P)

## HEAD OFFICE & FACTORY

**Merryfair Chair System Sdn Bhd**  
(Co. No. 86276-A)  
No.2, Jalan Koporat 1/KU9,  
Taman Perindustrian Meru,  
42200 Klang, Selangor D.E., Malaysia.

**International Sales & Marketing**  
Tel. +603 3393 2888  
Fax. +603 3393 2000  
enquiry@merryfair.com

**Domestic Sales & Marketing**  
Tel. +603 3393 6868  
Fax. +603 3393 6888  
domestic@merryfair.com

## SHOWROOM OFFICE

**Merryfair Marketing Sdn Bhd**  
(Co. No. 665054-V)  
No. 82-84, Jalan 2/23A,  
Jalan Genting Kelang,  
53300 Kuala Lumpur, Malaysia.  
Tel. +603 4149 8899  
Fax. +603 4143 0113

## REGIONAL OFFICE & SHOWROOM

**美力菲 (中国) 家具有限公司**  
广东省佛山市顺德区容桂华口顺德高新区(容桂)华天路21号  
邮编: 528306  
Merryfair (China) Co.,Ltd  
No. 21, Huatian Road, Shunde High Tech Industrial Zone  
(Ronggui), Huakou Community, Ronggui Subdistrict,  
Shunde District, Foshan City, Guangdong, China 528306.  
Tel. +86 757 2636 9861  
Fax. +86 757 2881 9700  
domestic@merryfair.com.cn

**Merryfair (Singapore) Pte Ltd**  
33 Ubi Avenue 3, #01-52/53 Vertex,  
Singapore 408868.  
Tel. +65 6284 9098  
Fax. +65 6284 9028  
enquiry@merryfair.com.sg

**Merryfair (Thailand) Co.,Ltd**  
Thai Samut Building  
Ground Floor, 163 Surawongse Road,  
Bangrak, Bangkok 10500 Thailand.  
Tel. +66 2266 3855  
Fax. +66 2266 3859  
sales@merryfair.co.th

[www.merryfair.com](http://www.merryfair.com)

