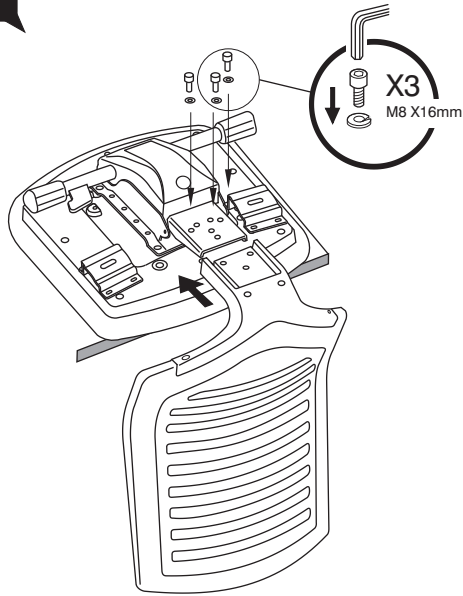
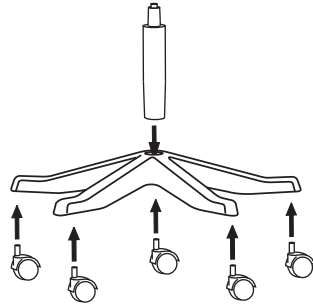


Assembly Instruction

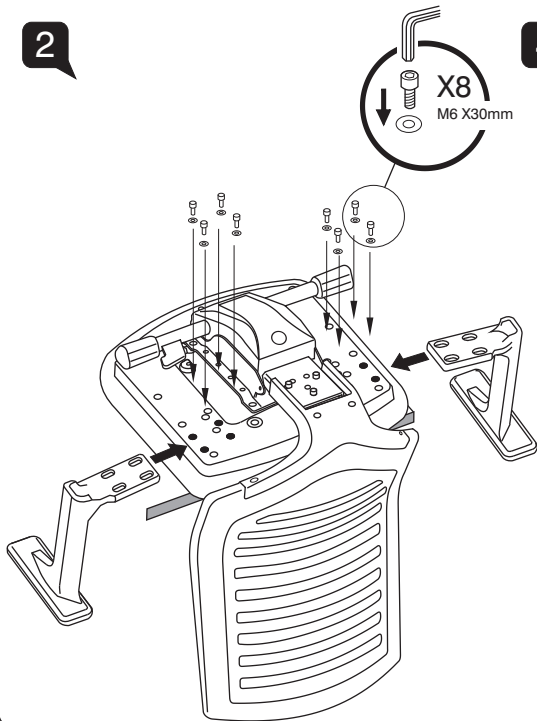
1



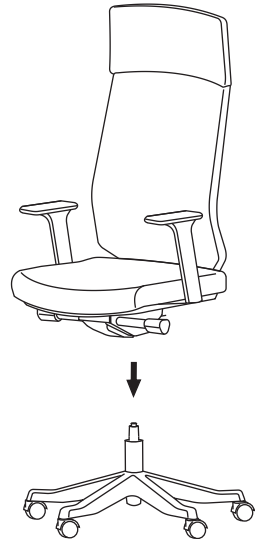
3



2



4



VELO

Models

899 YJ A37 VP

898 YJ A37 VP

897 YJ A37 VP

User Instructions

A

Seat Height Adjustable

Flip up lever on right-side to raise or lower seat. Adjust such that your feet are adequately supported on floor.

B

Multi-Position Tilt Lock

Recline to desired position, and turn lever anti-clockwise to lock. Turn lever clockwise to release tilt-lock.

C

Tilt tension Control

Turn bottom knob clockwise to provide a stronger tilt tension, and vice-versa. Adjust such that minimum effort is required to push back when recline.

