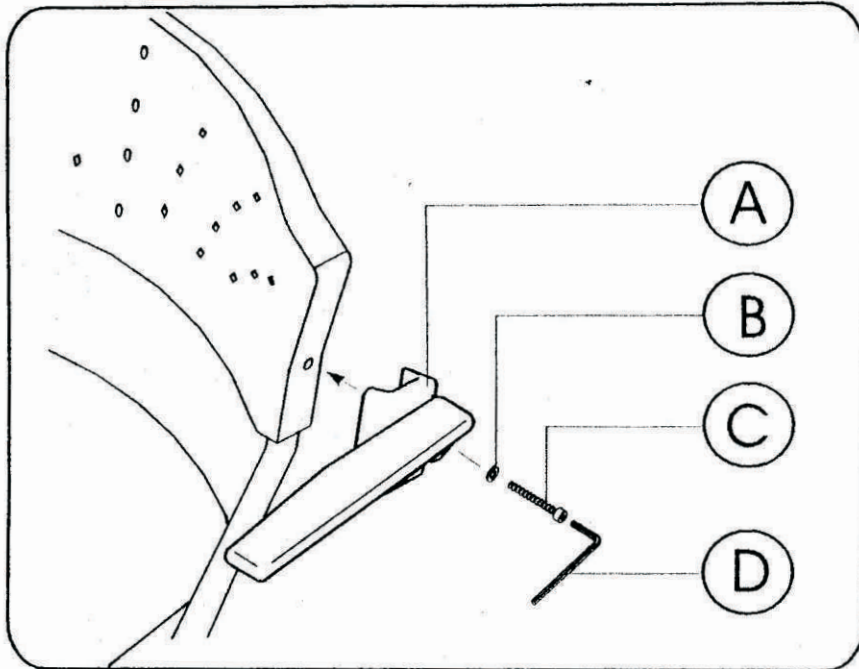


Assembly Instruction : model - VARION 2 G07*FDA27H4



Parts List

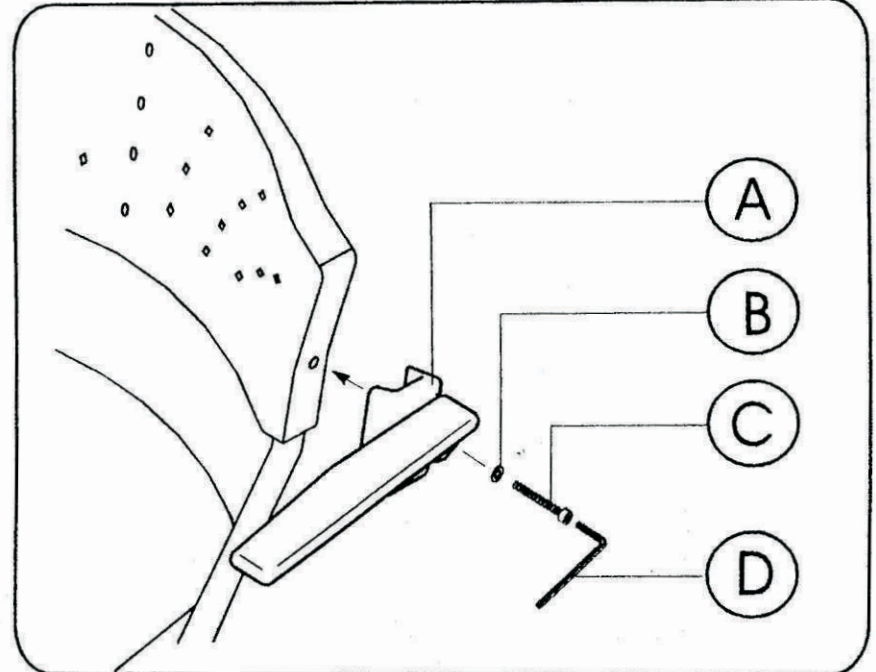
- (A) Armrest
- (B) Flat Washer
- (C) M6 Allen Cap Screw
- (D) Allen Key



Assembly Instruction

1. Slot in the armrest (A) onto the side of the backrest
2. Tighten the armrest with the screw (C) and the flat washer (B) by the allen key (D)

Assembly Instruction : model - VARION 2 G07*FDA27H4



Parts List

- (A) Armrest
- (B) Flat Washer
- (C) M6 Allen Cap Screw
- (D) Allen Key



Assembly Instruction

1. Slot in the armrest (A) onto the side of the backrest
2. Tighten the armrest with the screw (C) and the flat washer (B) by the allen key (D)