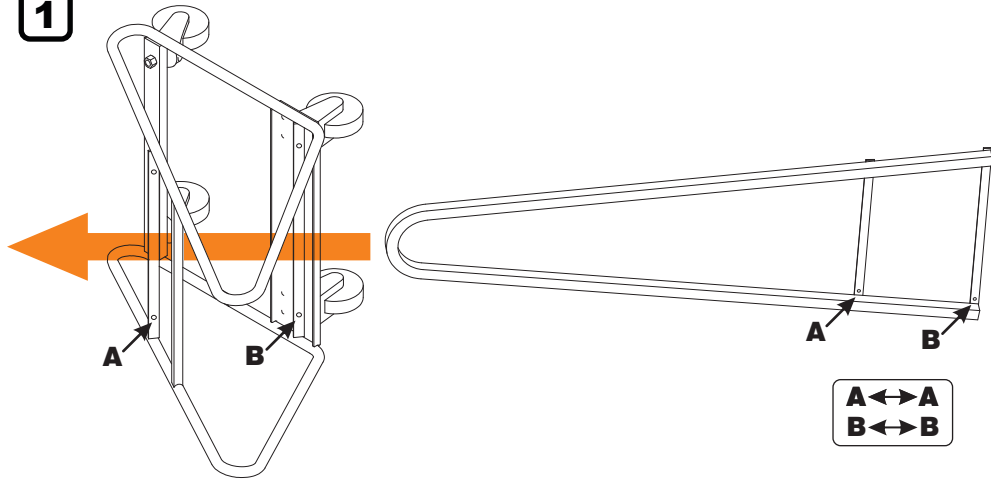
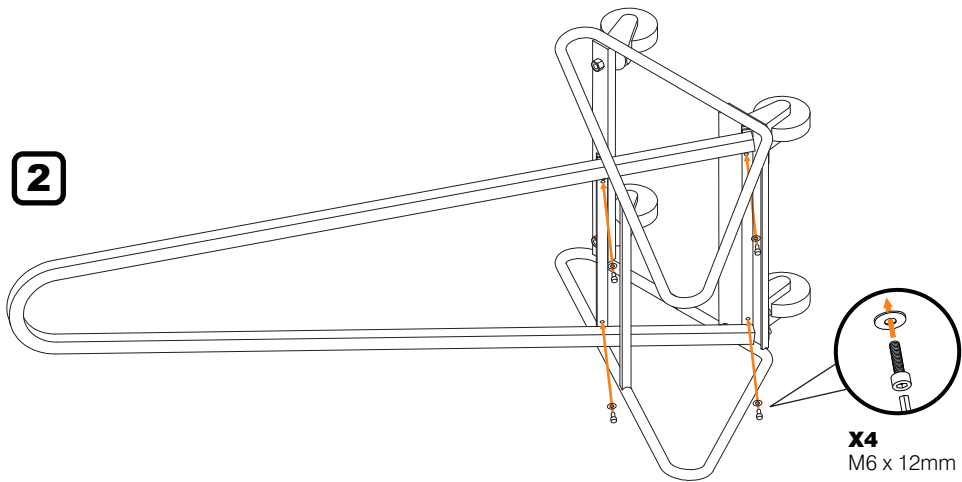


## ASSEMBLY INSTRUCTIONS

1



2



## USER INSTRUCTIONS

