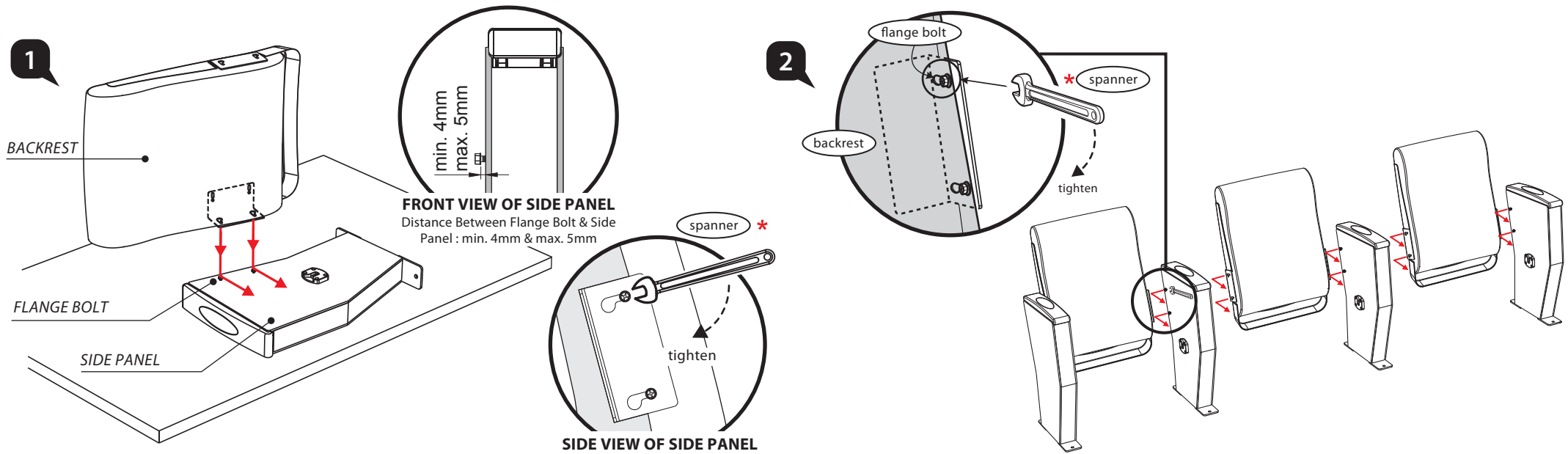


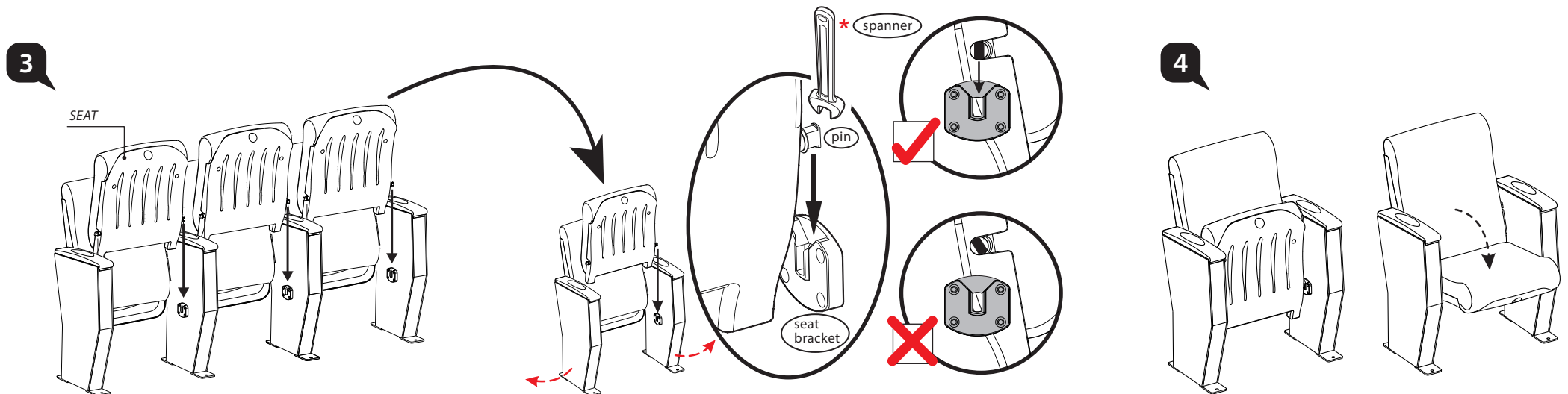
Premiere - Assembly Instruction

MERRYFAIR®



1a - For installing the 1st chair, you're recommended to put side panel in **horizontal** way.
1b - Slot the backrest into the Flange Bolt which is prefix on the side panel, then slide the backrest into the direction as shown above. Tighten the flange bolt by using *spanner.

2a - Return the chair into **Vertical** position.
2b - Slot another side panel into the chair and tighten the flange bolt by using *spanner.
2c - Repeat step **1b** and **2b**.



3a - Slot the seat into the seat bracket at side panel.

NOTE: You have to slightly widen-up the both side panels to slot the seat into the bracket. You may use *spanner to help you to adjust the pin so that it's parallel to the seat bracket.

Completed View

*** NOT INCLUDED**