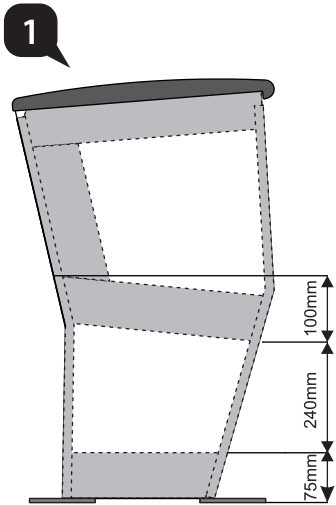
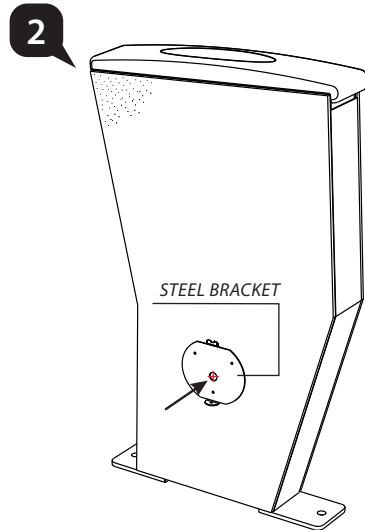


# Premiere Aisle Light - Assembly Instruction

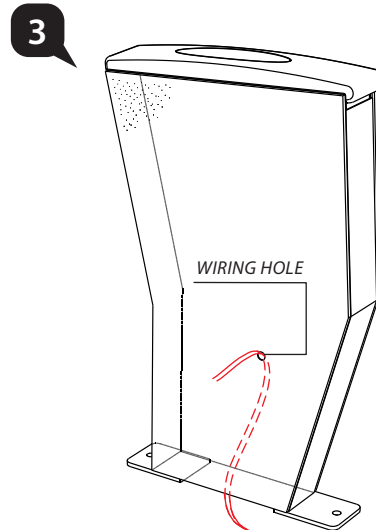
MERRYFAIR®



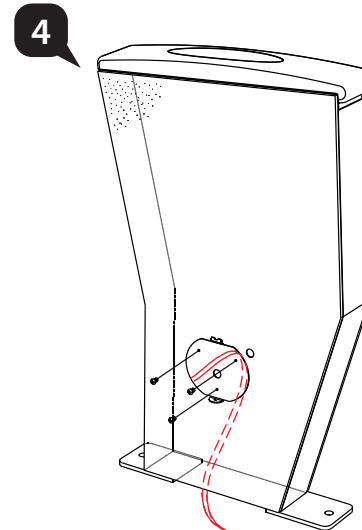
- Put the aisle light at desired position, avoid the metal frame (shaded) inside the fabric panel.



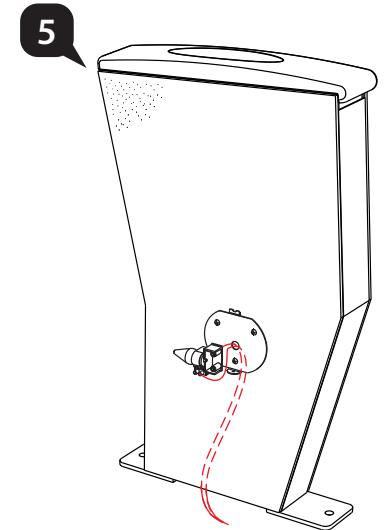
- Use the steel bracket to mark the wiring hole at the fabric panel & drill through it.



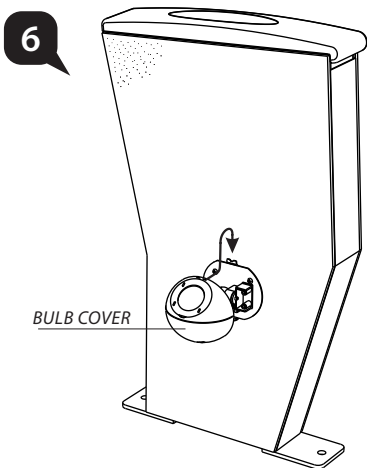
- Insert the main wire from floor to the wiring hole on fabric panel.



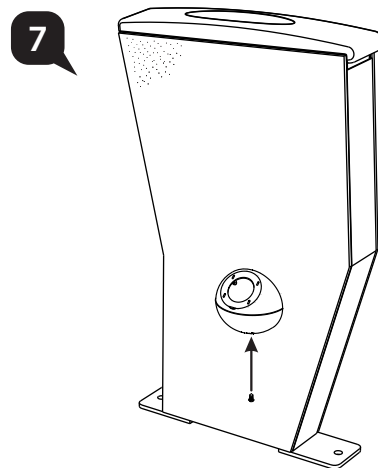
- Insert the main wire to the steel bracket. Fix the steel bracket on the fabric panel by using CSK Self Tapping Screw #6 x 1/2".



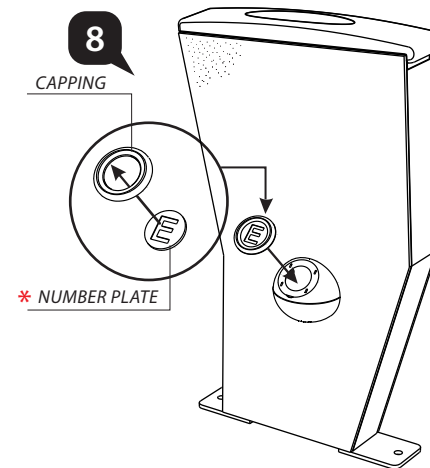
- Connect the wire to \*light fixture.  
\* NOT INCLUDED



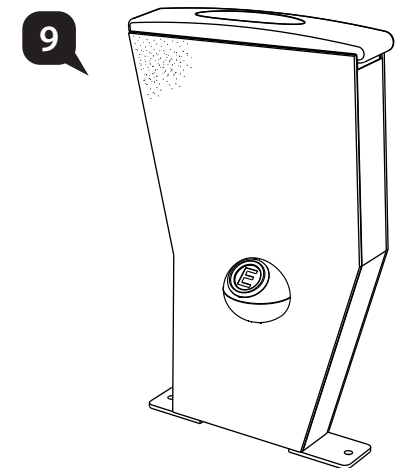
- Slot the bulb cover to the steel bracket.



- Fix the bulb cover to the steel bracket from bottom by using CSK Self Tapping Screw #6 x 1/2".



- Insert the \*number plate to the Capping, then insert the assembled parts into the bulb cover.



**Completed View**