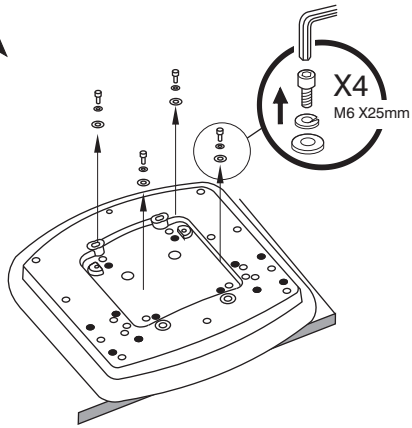
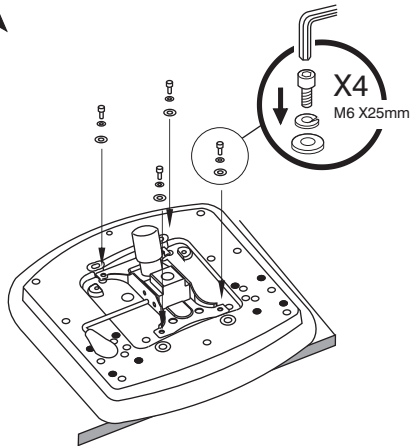


# Assembly Instruction

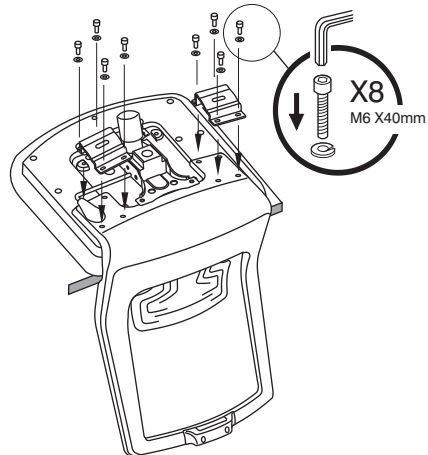
1



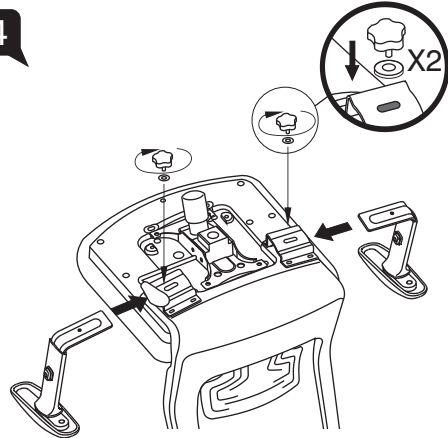
2



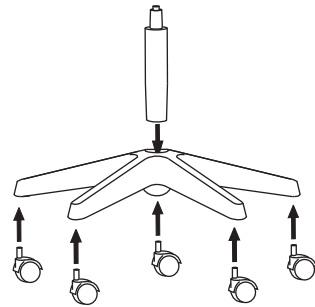
3



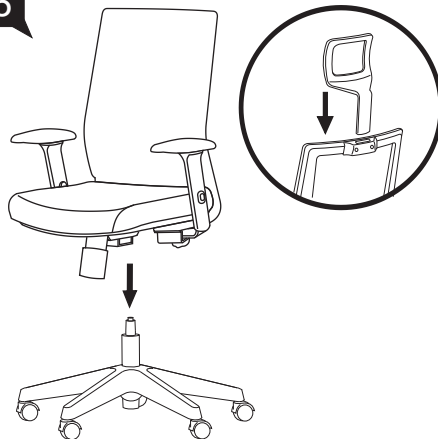
4



5



6



# NE Z

Models

879 SH A4S N2

878 SH A4S N2

# User Instructions

- A Seat Height Adjustable**  
Flip up lever on right-side to raise or lower seat. Adjust such that your feet are adequately supported on floor.
- B Tilt Lock**  
Only have 2 locking positions for this series. At up right position or recline to maximum and push in lever to lock. Pull out lever to release tilt-lock.
- C Tilt tension Control**  
Turn bottom knob clockwise to provide a stronger tilt tension, and vice-versa. Adjust such that minimum effort is required to push back when recline.
- D Armrest Height**  
Press the button and raise or lower the armrest. Adjust height to adequately support elbows to take strain off shoulders.
- E Armrest Width**  
Turn bottom knob clockwise to loosen the armrest and adjust inwards or outwards to suite your shoulder width.
- F Armpad Angle**  
Grasp armpads and rotate them inwards or outwards to adjust elbow support to suite specific tasks. An inward position works during keyboard use, while an outward position is recommended during mousing.
- G Armrest Depth**  
Grasp armpads and push them forwards and backwards to suite your arm support.
- H Headrest Height (Only applicable for 879 model)**  
Adjust height by holding both sides of headrest and pull up or down to your desired height.

