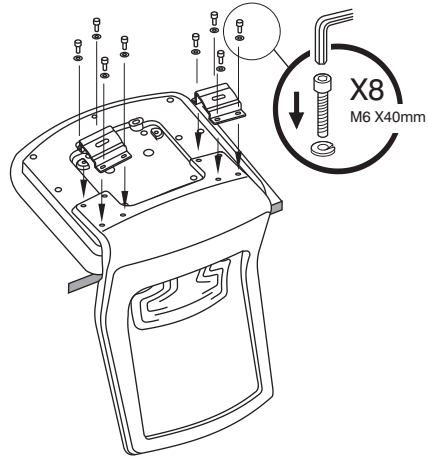
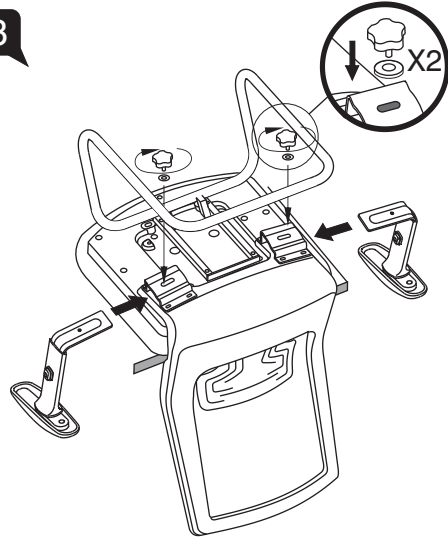


Assembly Instruction

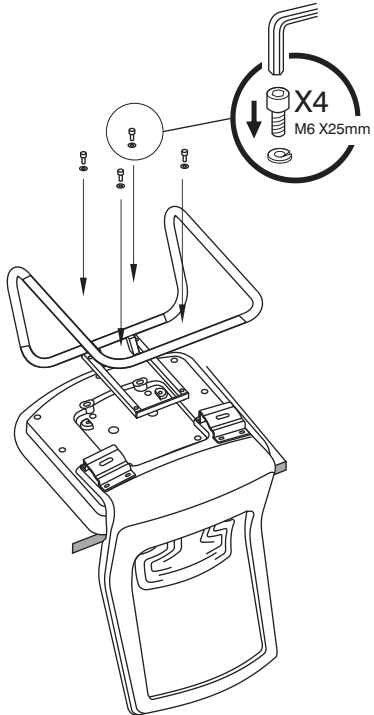
1



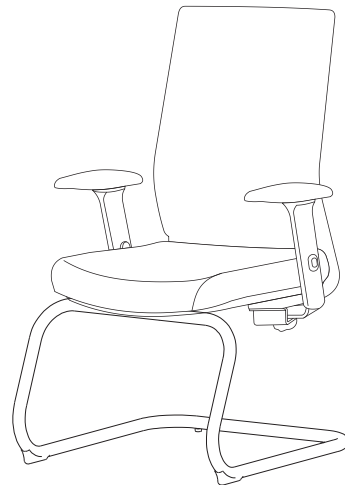
3



2



4



NE Z

Models

871 NA A4S B

User Instructions

- A** **Armrest Height**
Press the button and raise or lower the armrest. Adjust height to adequately support elbows to take strain off shoulders.
- B** **Armrest Width**
Turn bottom knob clockwise to loosen the armrest and adjust inwards or outwards to suite your shoulder width.
- C** **Armpad Angle**
Grasp armpads and rotate them inwards or outwards to adjust elbow support to suite specific tasks. An inward position works during keyboard use, while an outward position is recommended during mousing.
- D** **Armrest Depth**
Grasp armpads and push them forwards and backwards to suite your arm support.

