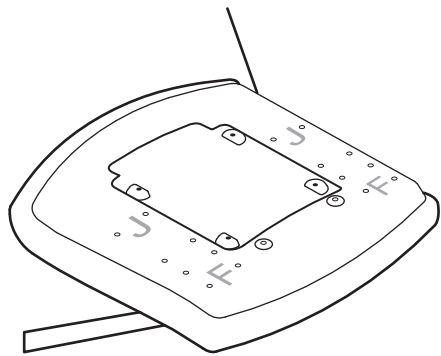


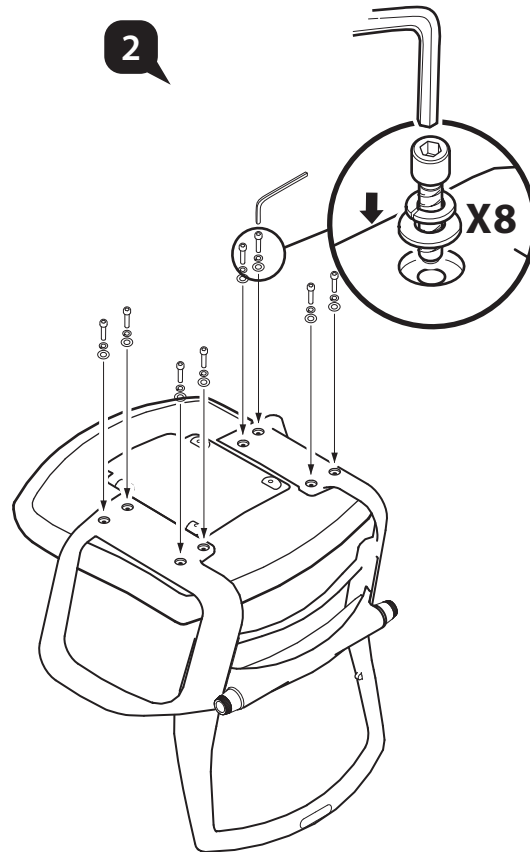
Assembly Instruction

MERRYFAIR®

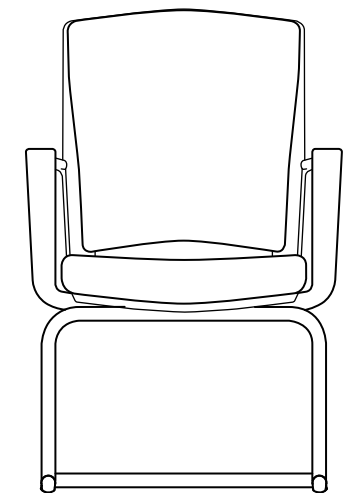
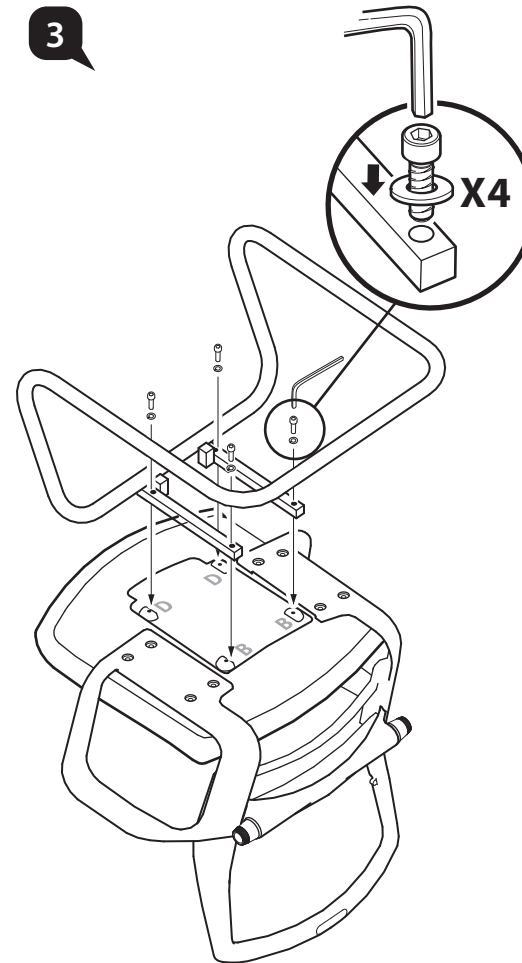
1



2



3



Fulkrum
model: P061 NA A34 S

User Instructions

MERRYFAIR®

A *Adjustable Lumbar Depth*

Flip Turn knobs on either side back-frame to adjust depth of lumbar-support cushion. A slack mesh-back is normal and may be tensioned by adjusting the cushion forwards.

Fulkrum

model: P061 NA A34 S

