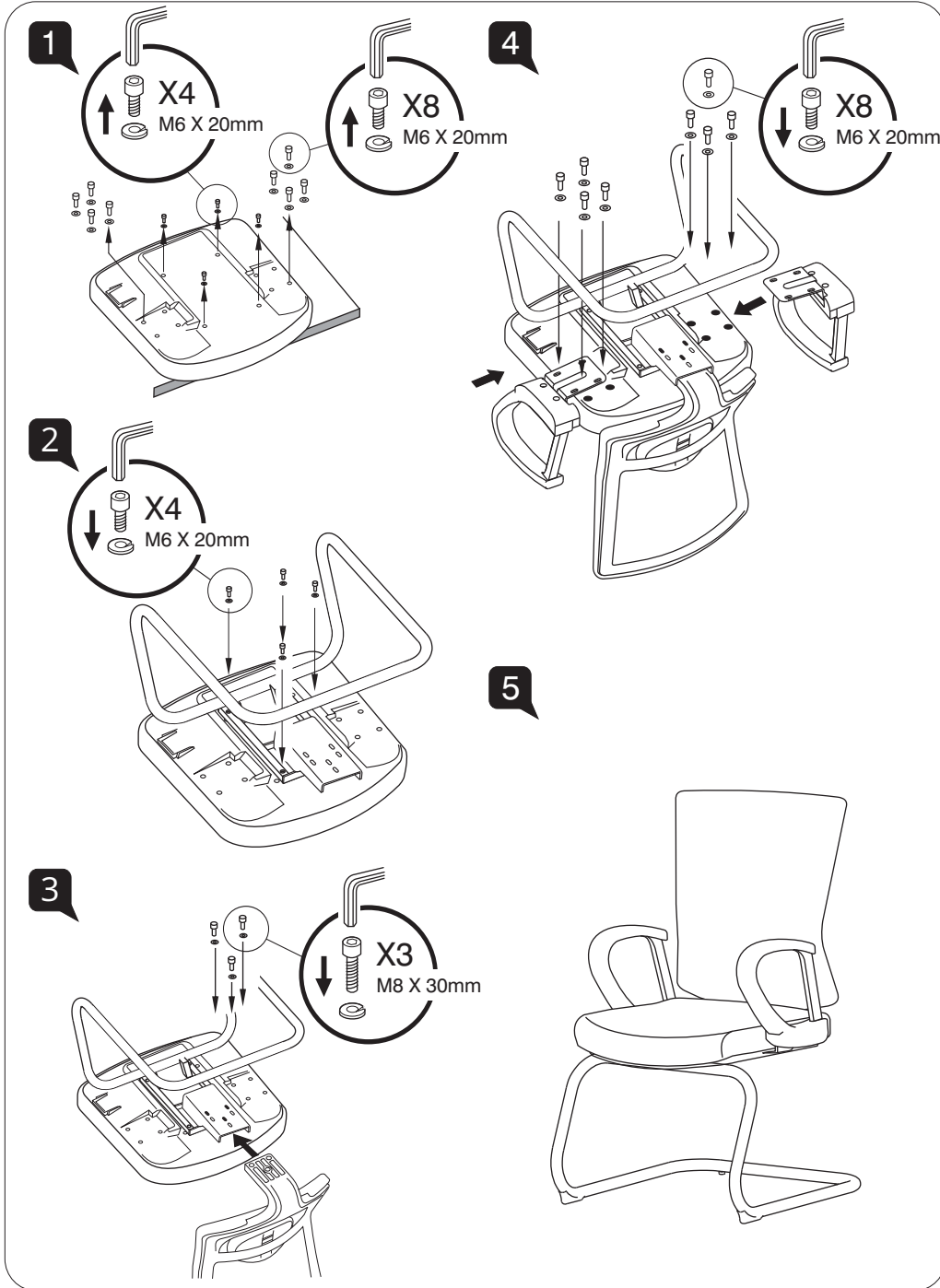


Assembly Instruction



User Instructions

FORTE Models 961 NA A15 B

- A Lumbar Height Adjustment**
Slide the lumbar support up or down for desired lumbar position.

