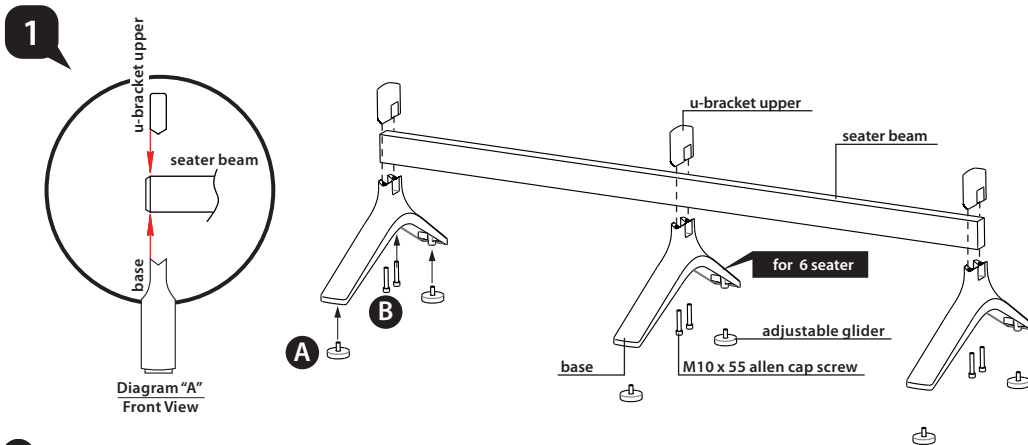
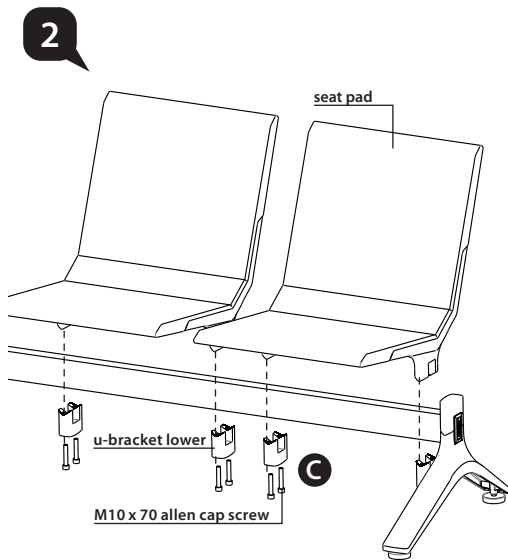


Assembly Instruction

MERRYFAIR®

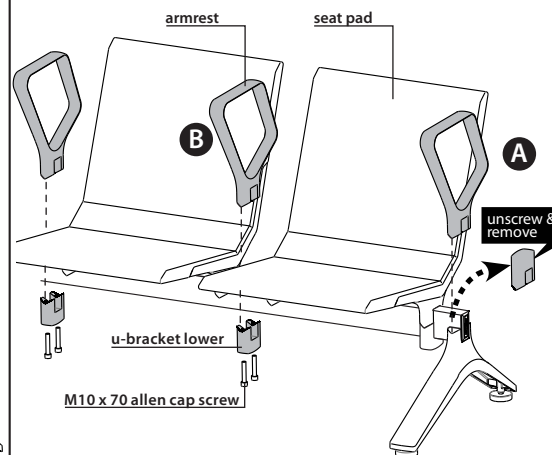


- A** Insert adjustable glider into base.
B Slot u-bracket upper & base into the seater beam and tighten with M10 X 55 allen cap screw.



- C** Slot seat pad and u-bracket lower into seater beam (following measurement given) and tighten with M10 X 70 allen cap screw.

Change or add-in armrests after completed chair:



- A** Change u-bracket upper to armrest
 Unscrew & remove the u-bracket upper. Replace by armrest & tighten by using M10 X 55 allen cap screw.
B Add armrest in between seat
 Slot armrest and u-bracket lower into the seater beam (adjust the armrest so that it is at the center of 2 seat shell) and tighten with M10 X 70 allen cap screw.

Flite

Models: 557 B1 / B2 / B3 / B4 / B6 A00 J

