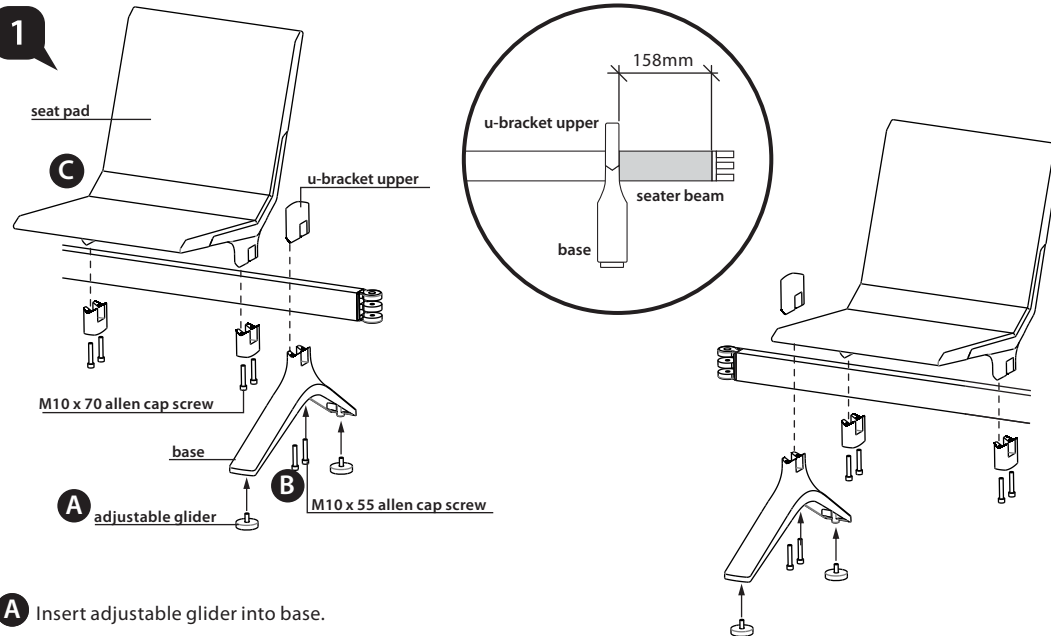
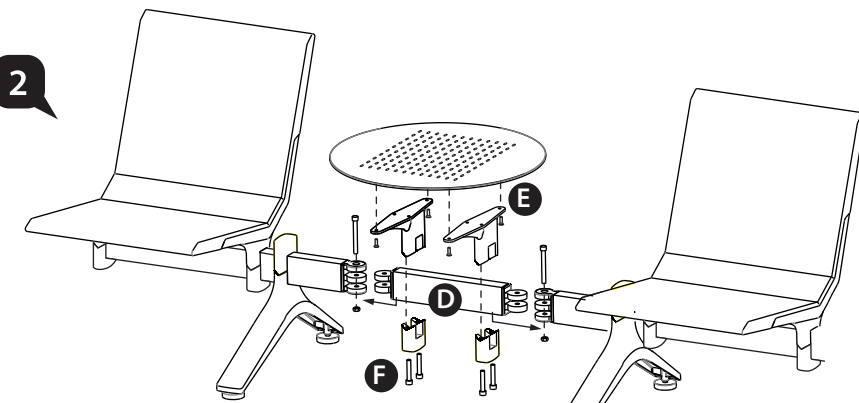


Assembly Instruction

MERRYFAIR®



- A** Insert adjustable glider into base.
- B** Slot u-bracket upper (or armrest) & base (following measurement given) into seater beam and tighten with M10 x 55 allen cap screw.
- C** Slot seat pad & u-bracket lower into seater beam (following measurement given) and tighten with M10 x 70 allen cap screw.



- D** Insert corner table beam into 2 individual seater beam and tighten with M10 x 75 csk allen cap screw & M10 hexagon nut.
- E** Fix table supporter to round turn table with M6 x 12 JCBC screw.
- F** Slot round turn table + table supporter and u-bracket lower into corner table beam and tighten with M10 x 70 allen cap screw.

Flite

Models: 557 B1 / B2 / B3 / B4 / B6 A00 J with TT2 TURN TABLE

