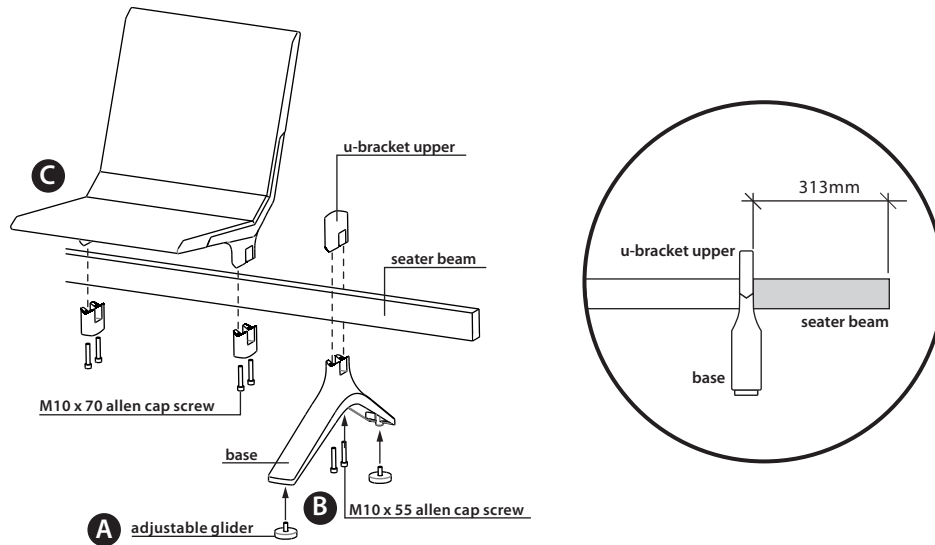


Assembly Instruction

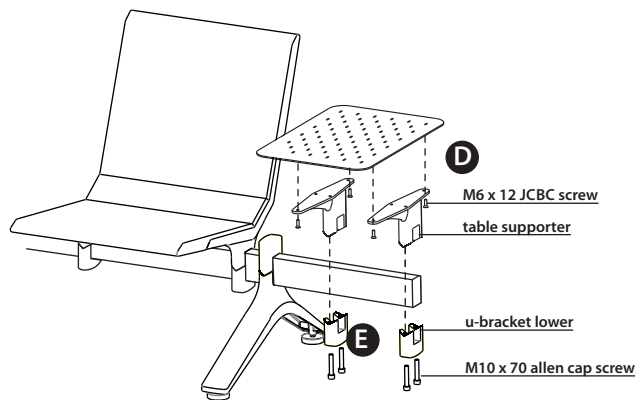
MERRYFAIR®

1



- A** Insert adjustable glider into base.
- B** Slot u-bracket upper (or armrest) & base into seater beam (following measurement given) and tighten with M10 x 55 allen cap screw.
- C** Slot seat pad & u-bracket lower into seater beam (following measurement given) and tighten with M10 x 70 allen cap screw.

2



- D** Fix table supporter to side table with M6 x 12 JCBC screw.
- E** Slot side table + table supporter and u-bracket lower into side table beam and tighten with M10 x 70 allen cap screw.

Flite

Models: 557 B1 / B2 / B3 / B4 / B6 A00 J with TS4 SIDE TABLE

