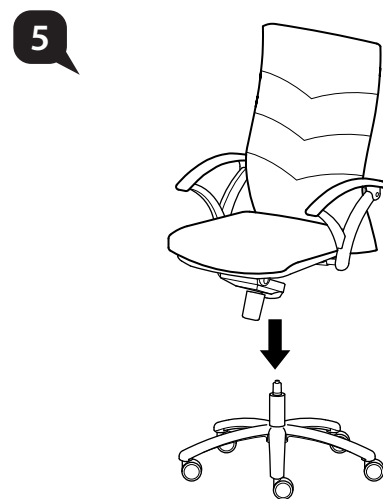
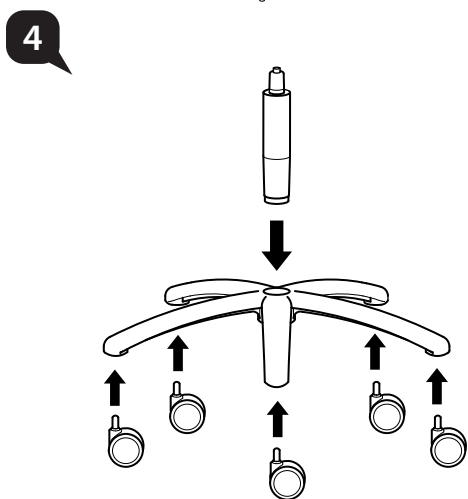
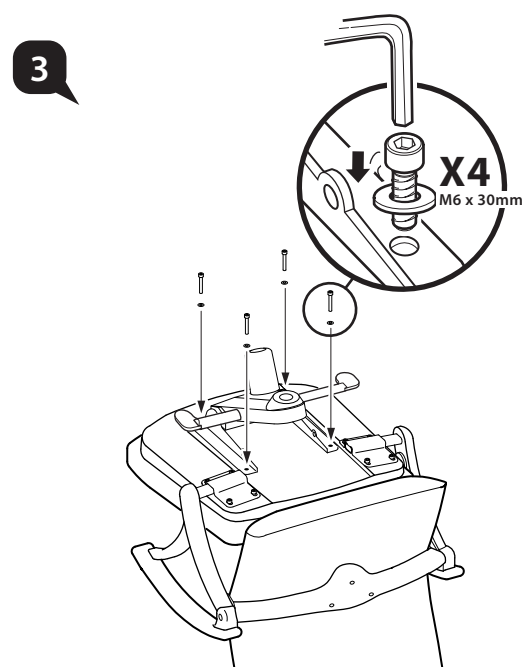
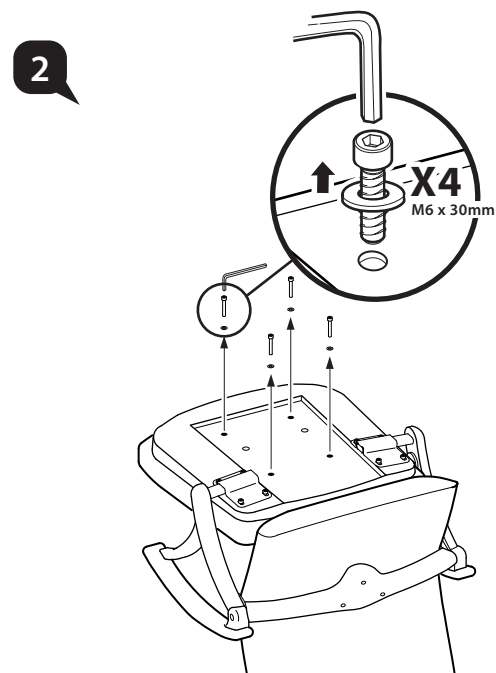
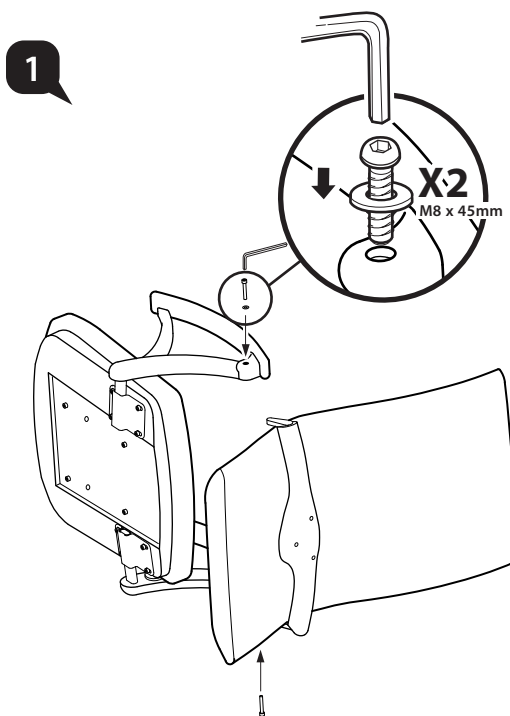


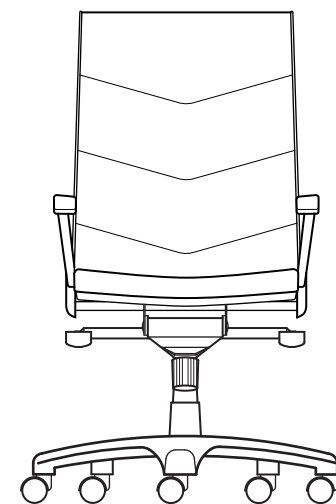
# Assembly Instruction

MERRYFAIR®



## Evo

models: P529 KT A13 M1  
P528 KT A13 M1  
P527 KT A13 M1



# User Instructions

MERRYFAIR®

## **A** *Seat Height Adjustable*

Flip up lever on right-side to raise or lower seat. Adjust such that your feet are adequately supported on floor.

## **B** *Multi-Position Tilt Lock*

Recline to desired position, and flip down lever on left-side to lock. Flip up lever to release tilt-lock.

## **C** *Tilt Tension Control*

Turn bottom knob clockwise to provide a stronger tilt tension, and vice-versa. Adjust such that minimum effort is required to push back when recline.

# Evo

models: P529 KT A13 M1  
P528 KT A13 M1  
P527 KT A13 M1

