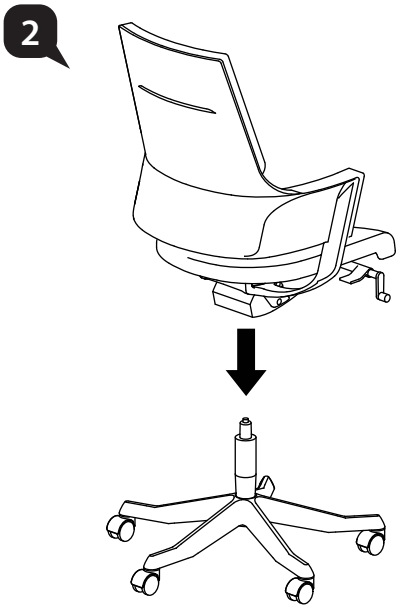
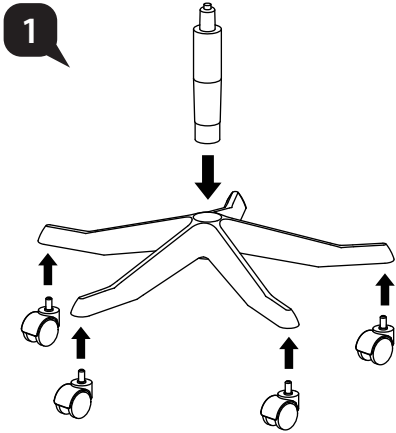


## Assembly Instruction



## User Instructions

- A** **Seat Height Adjustment**  
Flip up lever on right-side to raise or lower seat. Adjust such that your feet are adequately supported on floor.
- B** **Multi-Position Tilt Lock**  
Recline to desired position, and flip down lever on left-side to lock. Flip up lever to release tilt-lock.
- C** **Tilt Tension Control**  
Turn side knob clockwise to provide a stronger tilt tension, and vice-versa. Adjust such that minimum effort is required to push back when recline.

MERRYFAIR®

## Delphi

model: 498 MA A49 V  
508 MA A49 VP FL  
497 MA A49 V  
507 MA A49 VP FL

