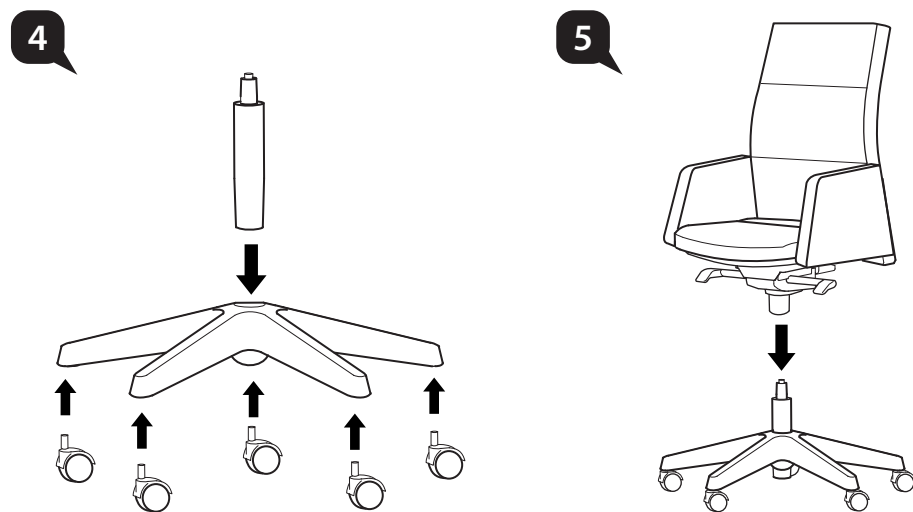
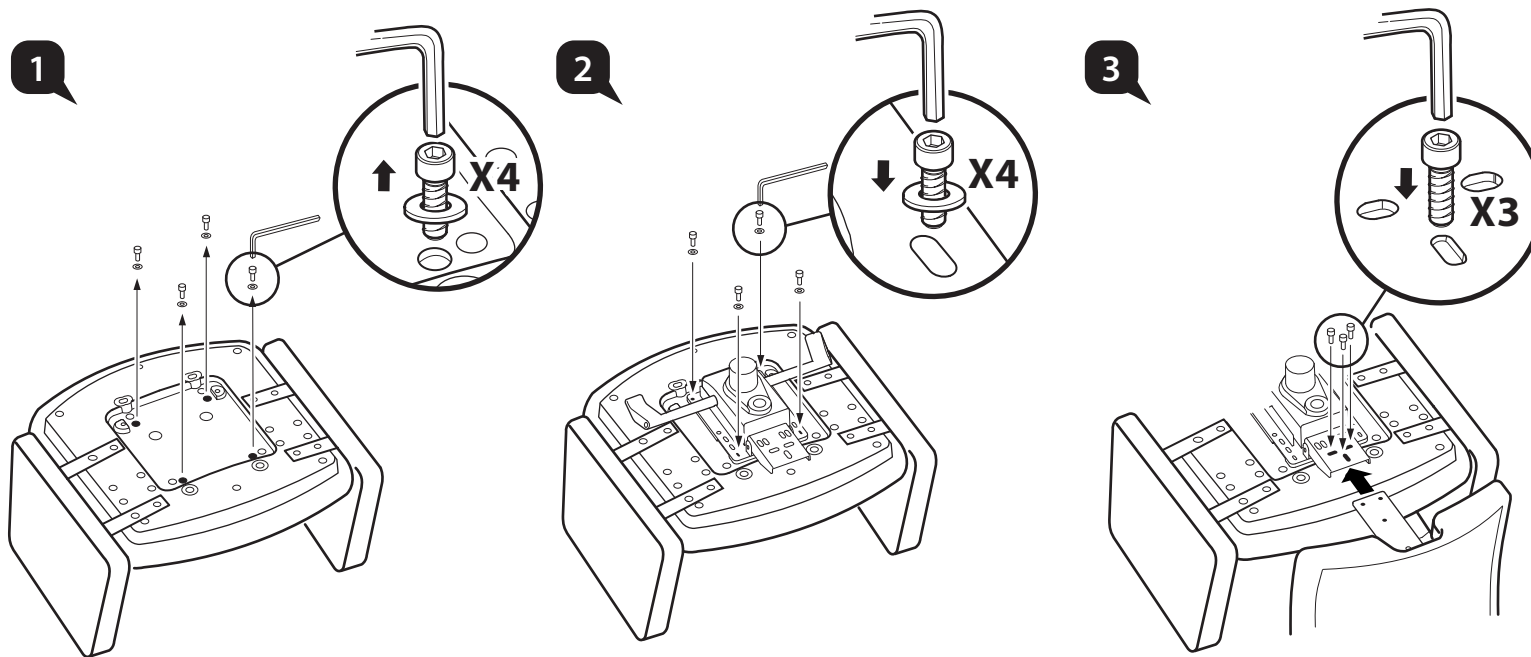


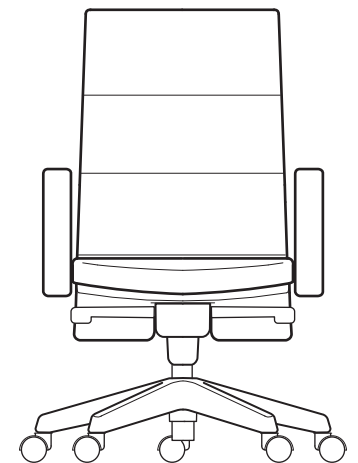
Assembly Instruction

MERRYFAIR®



Bravo

models: 358 YC A38 N2
357 YC A38 N2



User Instructions

MERRYFAIR®

A *Seat Height Adjustable*

Flip up lever on right-side to raise or lower set. Adjust such that your feet are adequately supported on floor.

B *Multi-Position Tilt Lock*

Recline to desired position, and flip down lever on left-side to lock. Flip up lever to release tilt-lock.

C *Tilt Tension Control*

Turn bottom knob clockwise to provide a stronger tilt tension, and vice-versa. Adjust such that minimum effort is required to push back when recline.

D *Backrest Height*

Hold backrest by both sides and pull up, one step at a time, to desired height. To lower backrest, pull it up to maximum height and then, return it to lowest to start again. Adjust height so that the backrest curvature follows the curve of your back.

Bravo

models: 358 YC A38 N2
357 YC A38 N2

