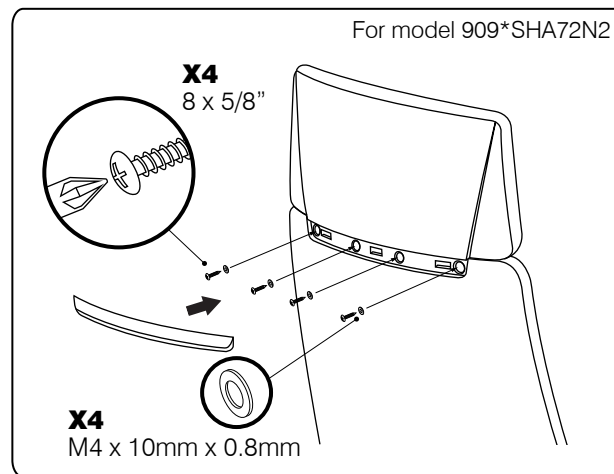
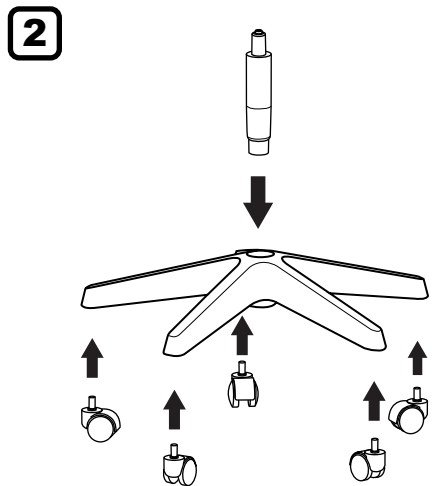
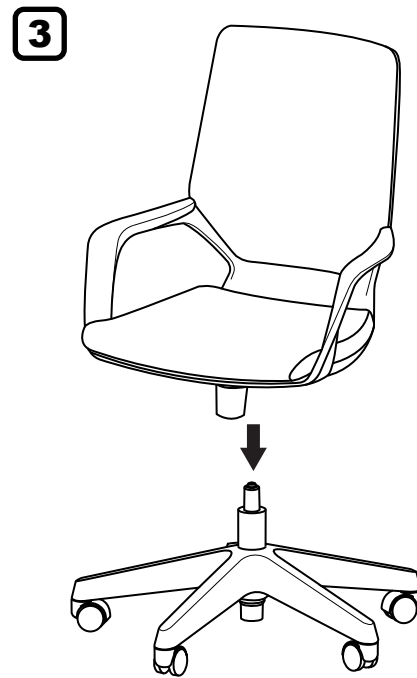
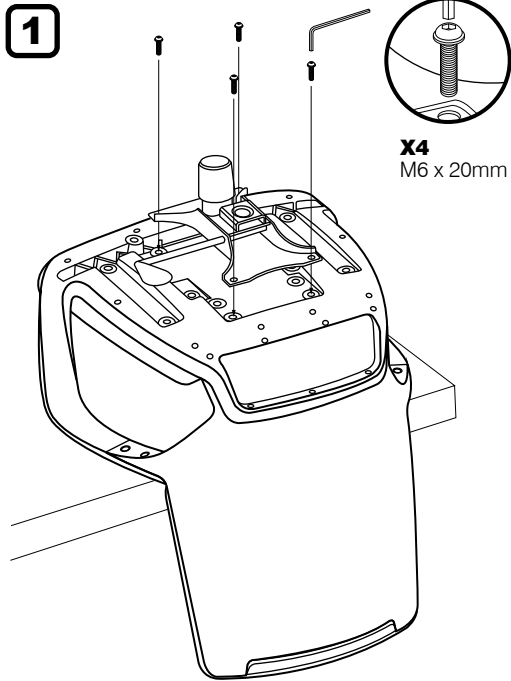


ASSEMBLY  
INSTRUCTION

# APOLLO

models: 909\*SHA72N2  
908\*SHA72N2



USER  
INSTRUCTIONS

- A** **Seat Height Adjustable**  
Flip up lever on right-side to raise or lower seat. Adjust such that your feet are adequately supported on floor.
- B** **Tilt Tension Control**  
Turn bottom knob clockwise to provide a stronger tilt tension, and vice-versa. Adjust such that minimum effort is required to push back when reclining.

