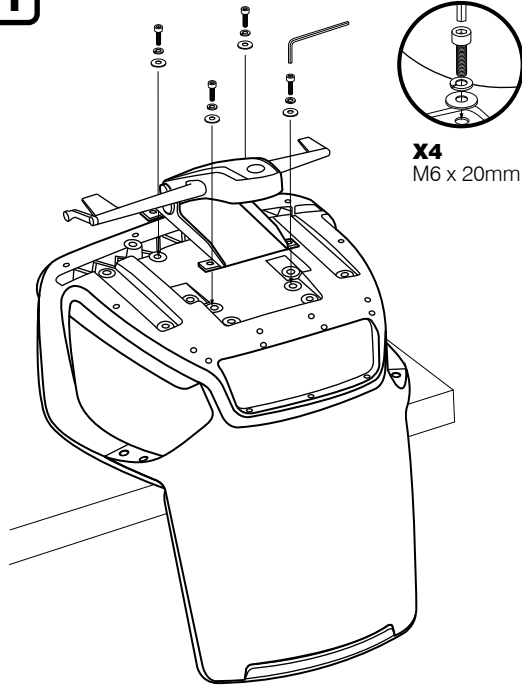
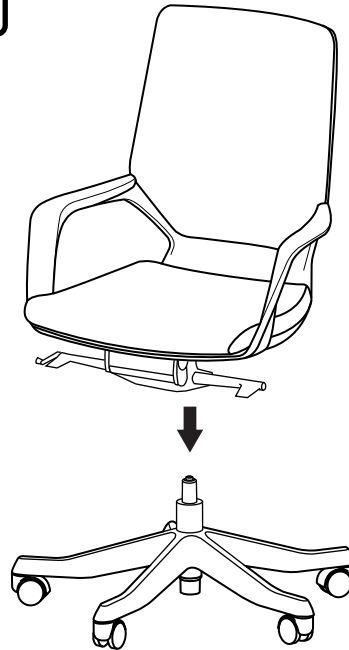


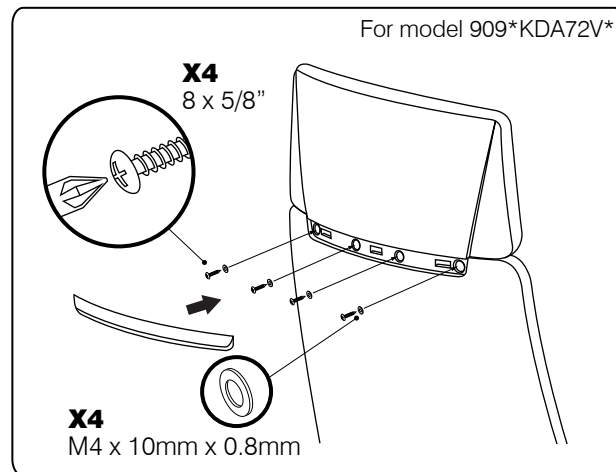
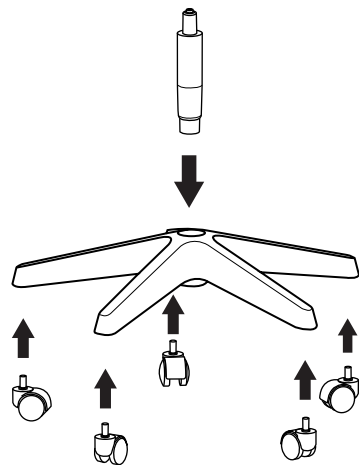
1



3



2



USER  
INSTRUCTIONS

- A** **Seat Height Adjustable**  
Flip up lever on right-side to raise or lower seat. Adjust such that your feet are adequately supported on floor.
- B** **Multi-Position Tilt Lock**  
Recline to desired position, and flip up lever on left-side to lock. Flip down lever to release tilt-lock.
- C** **Tilt Tension Control**  
Turn bottom lever clockwise to provide a stronger tilt tension, and vice-versa. Adjust such that minimum effort is required to push back when reclining.

