

# SAVILLE

MERRYFAIR®

Seating Products



## **Seating Excellence at Work**

Saville is everything to everybody, representing sophistication in design, simple operation and feeling good at the office.



**Design**

Like a good well-tailored suit, Saville combines exceptional workmanship and attention to detail with a lightness of design.

**Appearance**

Saville's distinct expression in shape is conveyed by the light transparent netting of the backrest, shaped like a tight sail.

**Comfort**

Saville has a structure that provides effective lumbar support as well as conveying a feeling of lightness and harmony.



All the aluminium parts are finish in chrome-plating for an attractive appearance and easy cleaning.

### Upholstery

is offered in 4 choices. High-tensile polyester mesh, thin leather padding soft leather cushions or combination of leather seat cushion and mesh backrest.

This is stretched over a diecast aluminium frame to create a strong yet elastic suspension for optimum body support.

### Mechanism

Saville features an advanced mechanism with multi-position recline locking. Recline tension is adjusted using a side crank for convenient operation.



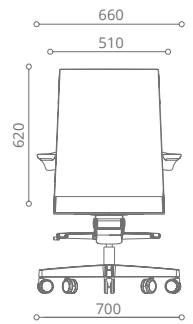
### Armrests

The armrests are also made of diecast aluminium and covered by an armpad of PU integral foam for a soft-touch tactile quality and durability.

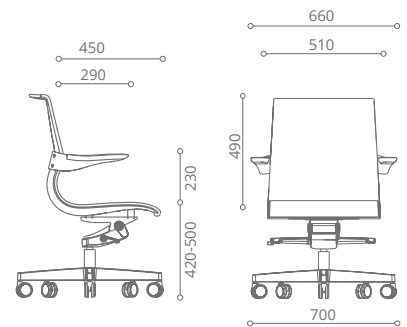
### Base

A 5-prong base of diecast aluminium is equipped with 60mm diameter castors for low rolling effort.

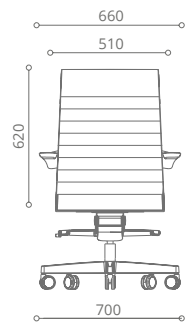
**Mesh**  
**High Back**  
**1008 KD A75 NC**



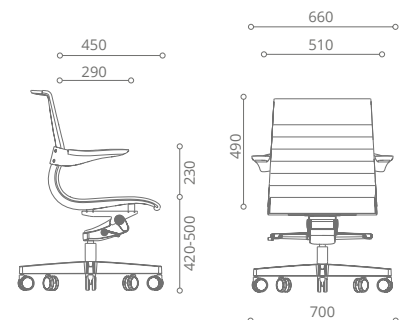
**Low Back**  
**1007 KD A75 NC**



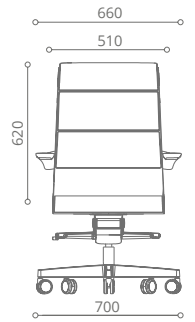
**Leather**  
**High Back**  
**1018 KD A75 NC**



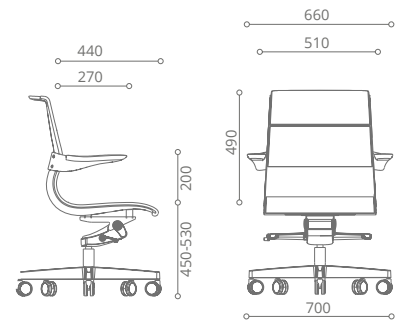
**Low Back**  
**1017 KD A75 NC**



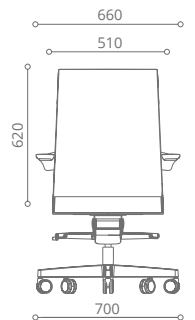
**Leather Cushion**  
**High Back**  
**1028 KD A75 NC**



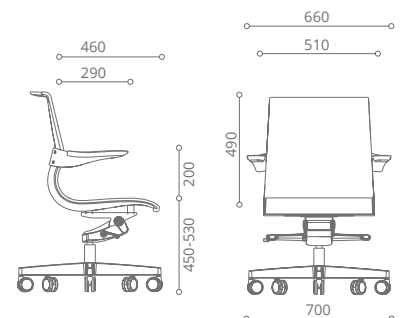
**Low Back**  
**1027 KD A75 NC**



**Mesh Back, Cushion Seat**  
**High Back**  
**1038 KD A75 NC**



**Low Back**  
**1037 KD A75 NC**



## HEAD OFFICE & FACTORY

**Merryfair Chair System Sdn Bhd**  
(Co. No. 86276-A)  
No.2, Jalan Koporat 1/KU9,  
Taman Perindustrian Meru,  
42200 Klang, Selangor D.E., Malaysia.

**International Sales & Marketing**  
Tel. +603 3393 2888  
Fax. +603 3393 2000  
enquiry@merryfair.com

**Domestic Sales & Marketing**  
Tel. +603 3393 6868  
Fax. +603 3393 6888  
domestic@merryfair.com

## SHOWROOM OFFICE

**Merryfair Marketing Sdn Bhd**  
(Co. No. 665054-V)  
No. 82-84, Jalan 2/23A,  
Jalan Genting Kelang,  
53300 Kuala Lumpur, Malaysia.  
Tel. +603 4149 8899  
Fax. +603 4143 0113

## REGIONAL OFFICE & SHOWROOM

**美力菲 (中国) 家具有限公司**  
广东省佛山市顺德区容桂华口顺德高新区(容桂)华天路21号  
邮编: 528306  
Merryfair (China) Co.,Ltd  
No. 21, Huatian Road, Shunde High Tech Industrial Zone  
(Ronggui), Huakou Community, Ronggui Subdistrict,  
Shunde District, Foshan City, Guangdong, China 528306.  
Tel. +86 757 2636 9861  
Fax. +86 757 2881 9700  
domestic@merryfair.com.cn

**Merryfair (Singapore) Pte Ltd**  
33 Ubi Avenue 3, #01-52/53 Vertex,  
Singapore 408868.  
Tel. +65 6284 9098  
Fax. +65 6284 9028  
enquiry@merryfair.com.sg

**Merryfair (Thailand) Co.,Ltd**  
Thai Samut Building  
Ground Floor, 163 Surawongse Road,  
Bangrak, Bangkok 10500 Thailand.  
Tel. +66 2266 3855  
Fax. +66 2266 3859  
sales@merryfair.co.th

[www.merryfair.com](http://www.merryfair.com)

