

PRESIDENT

MERRYFAIR®

Seating Products



Seating Excellence at Work

Leather chairs that blends classic luxury with aesthetic design.



Comfort

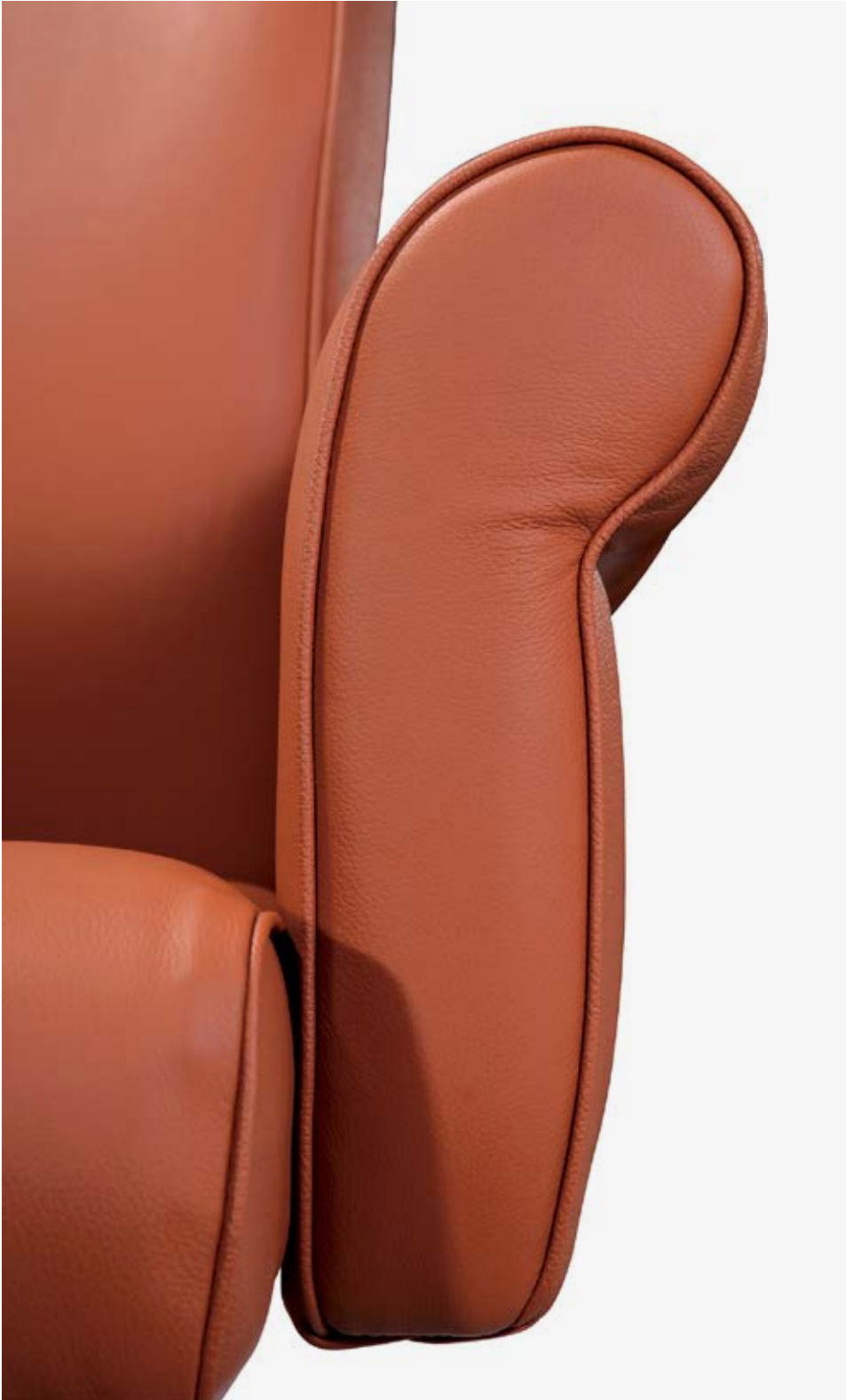
President series features a supersoft upholstery and synchronized motion tilt to enhance comfort and satisfaction.

Flexibility

The smooth-riding synchronized mechanism allows the user to tilt easily from upright to reclined position.

Appearance

Combination of fine leather upholstery and elegant wooden armrest and base spells out the beauty of this chair.



President is made of quality materials, detailed finishing and fine leather upholstery.

Model: President 1 & 2



Backrest

Upholstery choice is offered in leather or synthetic leather in various colour.

Armrests

Wooden armrest in varnish finished.

Mechanism

Multi locking knee tilt mechanism provides progressive reclining angle for seating comfort.

Base

Wooden base in varnish finished.

Model: President 3



Backrest

Upholstery choice is offered in leather or synthetic leather in various colour.

Armrest

Fully Upholstered armrest in matching colour with backrest and seat.

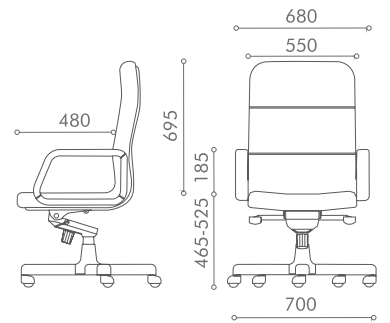
Mechanism

Synchronized mechanism with Tilt Tension Control, multi position Tilt Lock, and pneumatic seat height control.

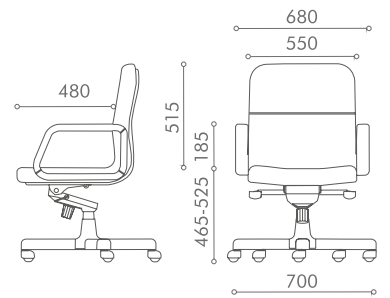
Base

Wooden base in varnish finished.

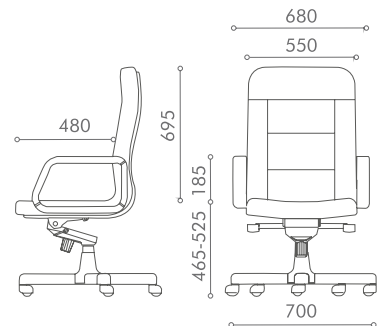
President 1
High Back
P059 KT A19 W1



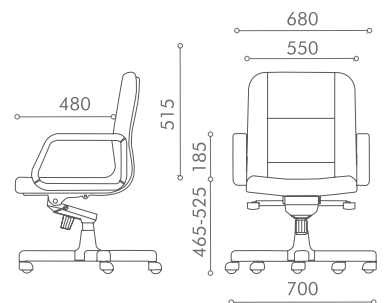
Mid Back
P057 KT A19 W1



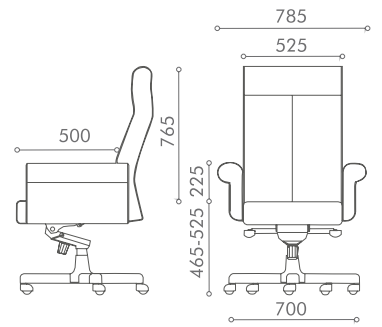
President 2
High Back
P109 KT A19 W1



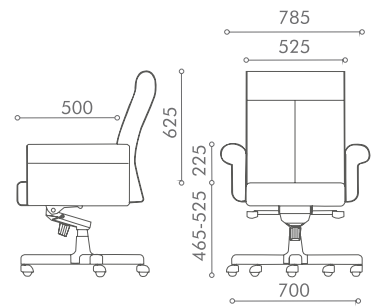
Mid Back
P107 KT A19 W1



President 3
High Back
199 YN A31 W1



Mid Back
197 YN A31 W1



Pneumatic Seat
Height Adjustment



Knee tilt mechanism



Synchronized Mechanism

HEAD OFFICE & FACTORY

Merryfair Chair System Sdn Bhd
(Co. No. 86276-A)
No.2, Jalan Koporat 1/KU9,
Taman Perindustrian Meru,
42200 Klang, Selangor D.E., Malaysia.

International Sales & Marketing
Tel. +603 3393 2888
Fax. +603 3393 2000
enquiry@merryfair.com

Domestic Sales & Marketing
Tel. +603 3393 6868
Fax. +603 3393 6888
domestic@merryfair.com

www.merryfair.com

SHOWROOM OFFICE

Merryfair Marketing Sdn Bhd
(Co. No. 665054-V)
No. 82-84, Jalan 2/23A,
Jalan Genting Kelang,
53300 Kuala Lumpur, Malaysia.
Tel. +603 4149 8899
Fax. +603 4143 0113

REGIONAL OFFICE & SHOWROOM

美力菲 (中国) 家具有限公司
广东省佛山市顺德区容桂华口顺德高新区(容桂)华天路21号
邮编: 528306
Merryfair (China) Co.,Ltd
No. 21, Huatian Road, Shunde High Tech Industrial Zone
(Ronggui), Huakou Community, Ronggui Subdistrict,
Shunde District, Foshan City, Guangdong, China 528306.
Tel. +86 757 2636 9861
Fax. +86 757 2881 9700
domestic@merryfair.com.cn

Merryfair (Singapore) Pte Ltd
33 Ubi Avenue 3, #01-52/53 Vertex,
Singapore 408868.
Tel. +65 6284 9098
Fax. +65 6284 9028
enquiry@merryfair.com.sg

Merryfair (Thailand) Co.,Ltd
Thai Samut Building
Ground Floor, 163 Surawongse Road,
Bangrak, Bangkok 10500 Thailand.
Tel. +66 2266 3855
Fax. +66 2266 3859
sales@merryfair.co.th

