

## Seating Products



### Appearance

The generously proportioned seat, back and arms combine to offer a modern aesthetic.

### Comfort

The shape of the seat and back with anatomic curve ensures a correct, ergonomic position to offer an optimal comfort.

### Flexibility

The simple and lightweight design, suitable for classroom, meeting room or seminar hall.

### Backrest

Back cushion consists of 38mm thick high density foam. Back shell and cover is moulded in black polypropylene.

### Seat

Seat cushion consists of 50mm thick high density foam on a 2-piece shell structure, upholstered in leather or fabric. The seat structural shell is injection-moulded polypropylene in black colour.



### Writing Table

Writing tablet surface is injection-moulded of ABS in black colour. Folding linkage and brackets are welded from mild-steel stampings, and finished in black epoxy powder coating.

### Armrest

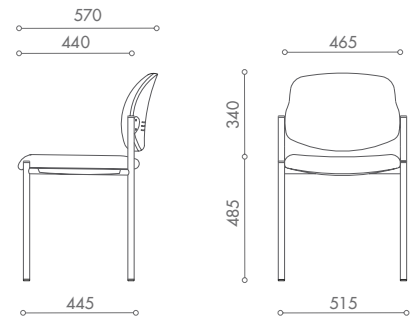
Optional loops armrest is moulded of polypropylene plastic in black colour.

### Base

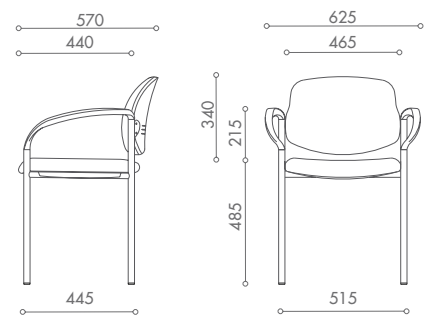
Welded 25.4mm diameter mild steel pipe, finished in black colour epoxy coating. Leg ends capped off with black nylon feet.

The multi-functional four-legged chair with or without armrest, or with writing table.

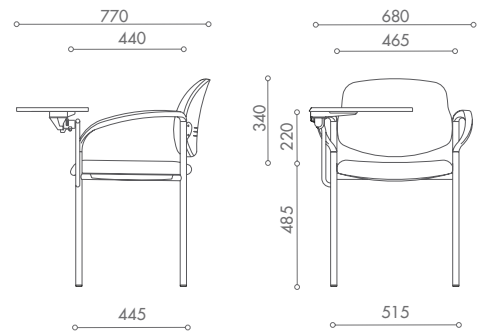
**Models:**  
**Without Armrest**  
**G06 NA A00 L**



**With Armrests**  
**G06 NA A22 L**



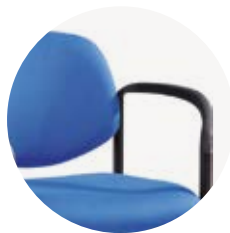
**With Writing Table**  
**G06 NA AW1 L**



**Options:**  
**Armrest**



Without Armrest  
 (A00)



With Armrest  
 (A22)



Writing Table With Armrest  
 (AW1)  
 Writing Table With Right Arm Only  
 (WR1)  
 Writing Table Without Armrest  
 (WT1)

## HEAD OFFICE & FACTORY

**Merryfair Chair System Sdn Bhd**  
(Co. No. 86276-A)  
No.2, Jalan Koporat 1/KU9,  
Taman Perindustrian Meru,  
42200 Klang, Selangor D.E., Malaysia.

**International Sales & Marketing**  
Tel. +603 3393 2888  
Fax. +603 3393 2000  
enquiry@merryfair.com

**Domestic Sales & Marketing**  
Tel. +603 3393 6868  
Fax. +603 3393 6888  
domestic@merryfair.com

## SHOWROOM OFFICE

**Merryfair Marketing Sdn Bhd**  
(Co. No. 665054-V)  
No. 82-84, Jalan 2/23A,  
Jalan Genting Kelang,  
53300 Kuala Lumpur, Malaysia.  
Tel. +603 4149 8899  
Fax. +603 4143 0113

## REGIONAL OFFICE & SHOWROOM

**美力菲 (中国) 家具有限公司**  
广东省佛山市顺德区容桂华口顺德高新区(容桂)华天路21号  
邮编: 528306  
Merryfair (China) Co.,Ltd  
No. 21, Huatian Road, Shunde High Tech Industrial Zone  
(Ronggui), Huakou Community, Ronggui Subdistrict,  
Shunde District, Foshan City, Guangdong, China 528306.  
Tel. +86 757 2636 9861  
Fax. +86 757 2881 9700  
domestic@merryfair.com.cn

**Merryfair (Singapore) Pte Ltd**  
33 Ubi Avenue 3, #01-52/53 Vertex,  
Singapore 408868.  
Tel. +65 6284 9098  
Fax. +65 6284 9028  
enquiry@merryfair.com.sg

**Merryfair (Thailand) Co.,Ltd**  
Thai Samut Building  
Ground Floor, 163 Surawongse Road,  
Bangrak, Bangkok 10500 Thailand.  
Tel. +66 2266 3855  
Fax. +66 2266 3859  
sales@merryfair.co.th

[www.merryfair.com](http://www.merryfair.com)

