

# FORTE

MERRYFAIR®

Seating Products



**Seating Excellence at Work**

FORTE, is the latest ergonomic seating model by Merryfair to provide a proper support during office routine.



**Comfort**

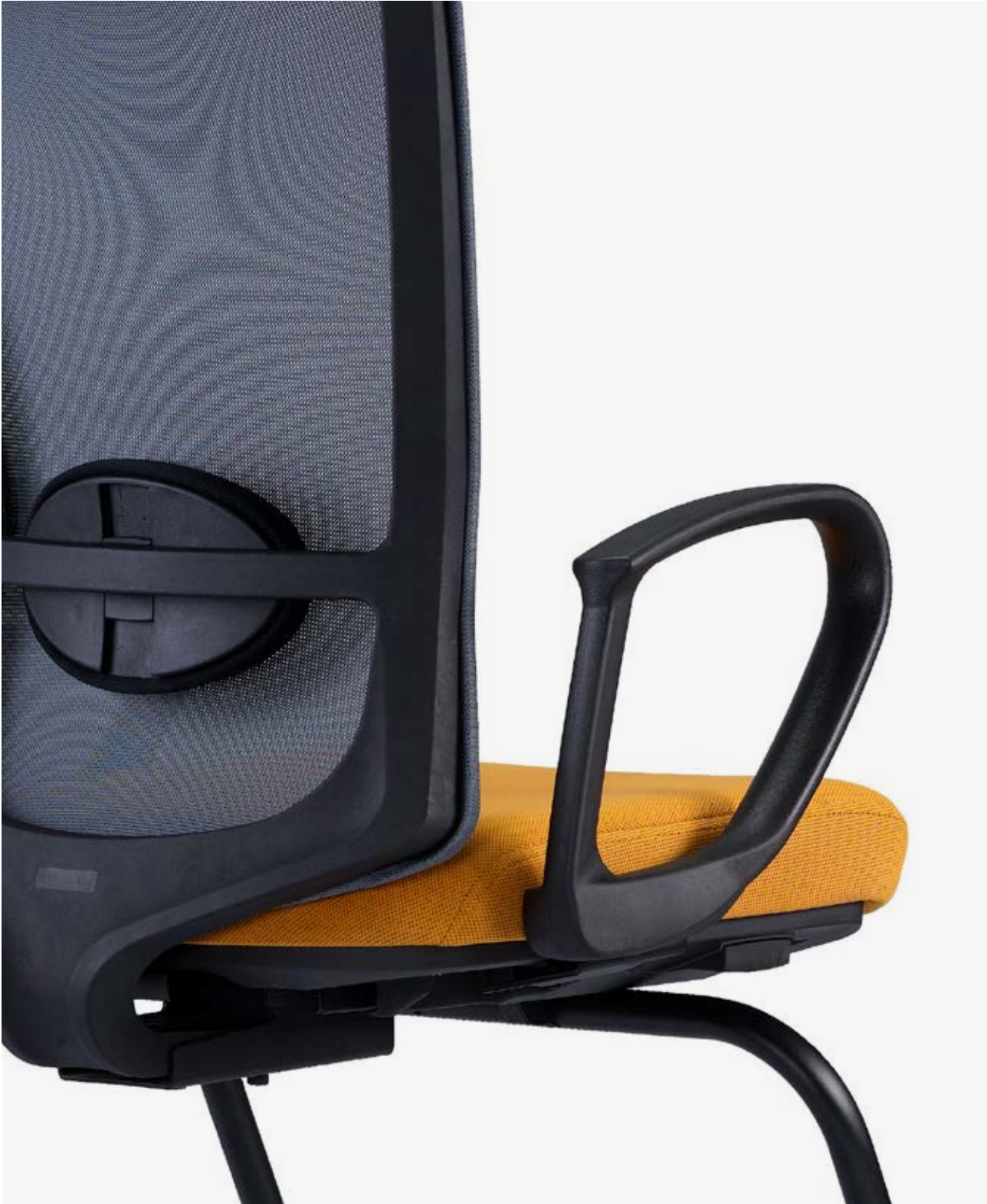
Forte complies to EN-1335 standard ensuring a comfortable fit to all sizes of user.

**Flexibility**

Use of optimum material and a streamlined back frame design allows your upper back to move freely during tasking.

**Sustainability**

All the parts except the upholstery and foam padding are recyclable at the end of product life cycle.



Forte is made and designed to conform to relevant international standards.

### Neckrest

A step-less height adjustable (75mm range) sleek neckrest gives optimal support to the user.

### Polyester Mesh

Provides elastic support, yet allowing ventilation for airy comfort.

### Armrest

Come with 4-way armrest adjustable for height, width, depth and swivel angle. Armpad of black moulded polyurethane with steel insert. An optional fixed armrest made of black polypropylene (100% recyclable).

### Base

700mm five-prong base of diecast aluminium alloy (100% recyclable) in polished finish. 65mm dual-wheel castors of moulded polyamide (nylon).



### Backrest

Slim back frame design is made of black polyamide plastic.

### Lumbar Pad

Height-adjustable (65mm range) lumbar support range fits comfortably to the curve of your back to provide additional support for your lower back.

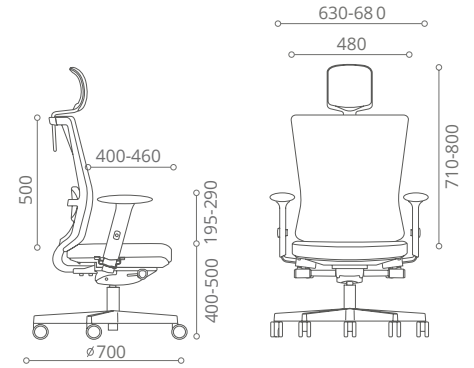
### Seat

Seat consist of moulded polyurethane foam on a 2-piece shell structure, injection-moulded in back polypropylene. Seat depth is adjustable for 60mm by sliding seat and controlled by lever. Seat height is adjustable for 100mm by means of a pneumatic gas spring.

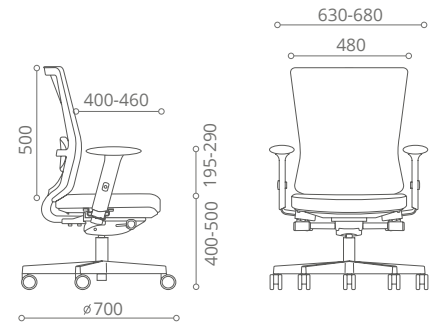
### Mechanism

A weight-sensing mechanism auto-adjust recline resistance according to user weight. The recline free-range is also adjust from 0°-24° in 4-steps.

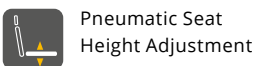
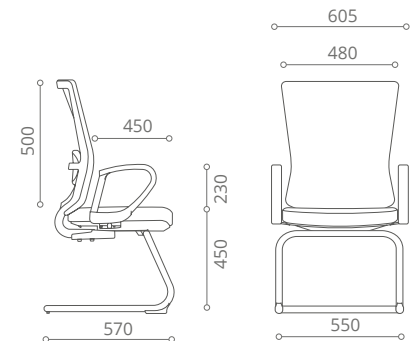
**Swivel-Tilt chair**  
**High Back with Headrest**  
 969 YK A69 NP



**Swivel-Tilt chair**  
**Mid Back**  
 968 YK A69 NP



**Visitor chair**  
**with cantilever base**  
 961 NA A15 B



Pneumatic Seat  
Height Adjustment



Adjustable Seat  
Depth



Height Adjustable  
Headrest



Synchro  
Mechanism



Height Adjustable  
Lumbar Support

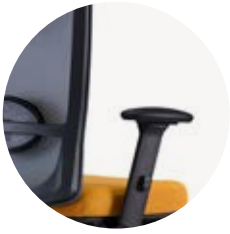


Depth - Angle  
Adjustable Armpad  
2-way adjustable armpad



Height - Width  
Adjustable Armrest

## Forte: Options Armrest



**4-Way Adjustable Armrest  
with PU Armpad**  
(A69)



**Fixed Armrest**  
(A15)

---

## Base



**350 Polished  
Aluminium Base**  
(NP)



**350 Studio Base**  
(N2)



**Cantilever Base**  
(B)

## HEAD OFFICE & FACTORY

**Merryfair Chair System Sdn Bhd**  
(Co. No. 86276-A)  
No.2, Jalan Koporat 1/KU9,  
Taman Perindustrian Meru,  
42200 Klang, Selangor D.E., Malaysia.

**International Sales & Marketing**  
Tel. +603 3393 2888  
Fax. +603 3393 2000  
enquiry@merryfair.com

**Domestic Sales & Marketing**  
Tel. +603 3393 6868  
Fax. +603 3393 6888  
domestic@merryfair.com

## SHOWROOM OFFICE

**Merryfair Marketing Sdn Bhd**  
(Co. No. 665054-V)  
No. 82-84, Jalan 2/23A,  
Jalan Genting Kelang,  
53300 Kuala Lumpur, Malaysia.  
Tel. +603 4149 8899  
Fax. +603 4143 0113

## REGIONAL OFFICE & SHOWROOM

**美力菲 (中国) 家具有限公司**  
广东省佛山市顺德区容桂华口顺德高新区(容桂)华天路21号  
邮编: 528306  
Merryfair (China) Co.,Ltd  
No. 21, Huatian Road, Shunde High Tech Industrial Zone  
(Ronggui), Huakou Community, Ronggui Subdistrict,  
Shunde District, Foshan City, Guangdong, China 528306.  
Tel. +86 757 2636 9861  
Fax. +86 757 2881 9700  
domestic@merryfair.com.cn

**Merryfair (Singapore) Pte Ltd**  
33 Ubi Avenue 3, #01-52/53 Vertex,  
Singapore 408868.  
Tel. +65 6284 9098  
Fax. +65 6284 9028  
enquiry@merryfair.com.sg

**Merryfair (Thailand) Co.,Ltd**  
Thai Samut Building  
Ground Floor, 163 Surawongse Road,  
Bangrak, Bangkok 10500 Thailand.  
Tel. +66 2266 3855  
Fax. +66 2266 3859  
sales@merryfair.co.th

[www.merryfair.com](http://www.merryfair.com)

