

FLITE

MERRYFAIR®

Seating Products



Seating Excellence at Work

Flite is a beam-type seating system designed for public areas such as airport, stations, malls and museums. Design details are carefully thought out such as hidden screws from view.



Comfort

Seat of moulded Integral Polyurethane over steel frame gives a soft-touch apart from its comfort while seating on it.

Low Maintenance

The seat has a straight angular line design that avoids having recesses that might trap dirt, to make cleaning easier.

Sustainability

Worn out seat pads can be easily replaced on site, using a common tool by a single operator.

Appearance

Diecast aluminum frame adds a classy premium appearance, while providing robust strength for heavy public use.



Flite is available in two-, three-, four- or more seats according to requirement.

Seats

is available in 2-,3-,4-, and 6-seaters. Seats are moulded integral PU foam over steel frame in standard grey colour.

Seat Supporter

of diecast aluminium in polished finish. (100% recyclable)



Beam Structure

of rectangular section steel in silver epoxy powder-coat.

Side Table

of laser cut mild steel plate in textured silver epoxy powder-coat.

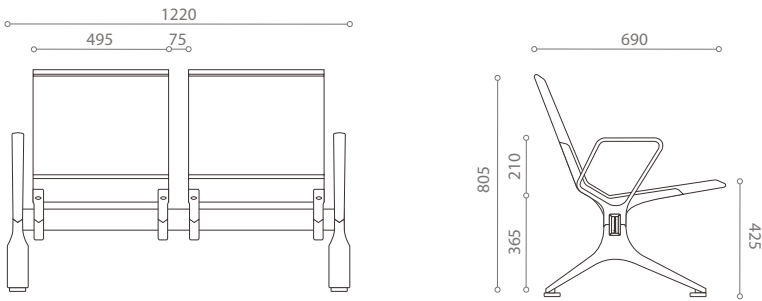
Armrests, legs and frame components

of diecast aluminium in polished finish. (100% recyclable)

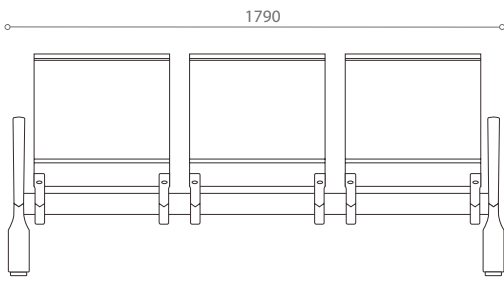
Height-adjustable feet

of black polypropylene, for levelling on uneven floors.

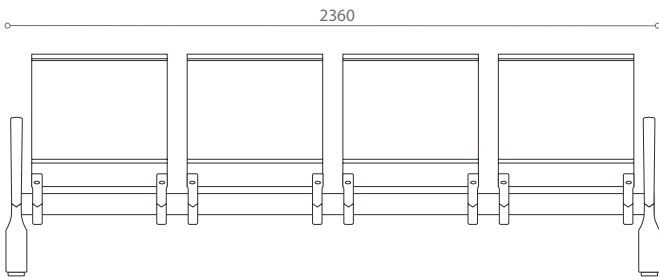
2 seater
557 B2 A00 J



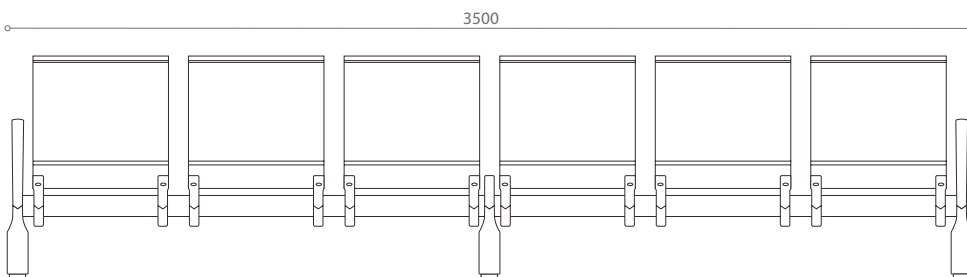
3 seater
557 B3 A00 J



4 seater
557 B4 A00 J



6 seater
557 B6 A00 J



Options

Armrest



Without Armrest
(A00)



With Armrest
(A70)

Base



AN Base

Side Table



Steel Side Table
W330 x L475
(TS4)



Steel Round Table
Dia. 560
(TT2)

Accessories



Back-to-Back Link
(L8)

HEAD OFFICE & FACTORY

www.merryfair.com

Merryfair Chair System Sdn Bhd

(Co. No. 86276-A)
No.2, Jalan Koporat 1/KU9,
Taman Perindustrian Meru,
42200 Klang, Selangor D.E., Malaysia.

International Sales & Marketing

Tel. +603 3393 2888
Fax. +603 3393 2000
enquiry@merryfair.com

Domestic Sales & Marketing

Tel. +603 3393 6868
Fax. +603 3393 6888
domestic@merryfair.com

SHOWROOM OFFICE

Merryfair Marketing Sdn Bhd

(Co. No. 665054-V)
No. 82-84, Jalan 2/23A,
Jalan Genting Kelang,
53300 Kuala Lumpur, Malaysia.
Tel. +603 4149 8899
Fax. +603 4143 0113

REGIONAL OFFICE & SHOWROOM

美力菲 (中国) 家具有限公司

广东省佛山市顺德区容桂华口顺德高新区(容桂)华天路21号
邮编: 528306
Merryfair (China) Co.,Ltd
No. 21, Huatian Road, Shunde High Tech Industrial Zone
(Ronggui), Huakou Community, Ronggui Subdistrict,
Shunde District, Foshan City, Guangdong, China 528306.
Tel. +86 757 2636 9861
Fax. +86 757 2881 9700
domestic@merryfair.com.cn

Merryfair (Singapore) Pte Ltd

33 Ubi Avenue 3, #01-52/53 Vertex,
Singapore 408868.
Tel. +65 6284 9098
Fax. +65 6284 9028
enquiry@merryfair.com.sg

Merryfair (Thailand) Co.,Ltd

Thai Samut Building
Ground Floor, 163 Surawongse Road,
Bangrak, Bangkok 10500 Thailand.
Tel. +66 2266 3855
Fax. +66 2266 3859
sales@merryfair.co.th

