

# DELPHI

MERRYFAIR®

Seating Products



## **Seating Excellence at Work**

Like the historical Delphi town in Greece where people came to rever the wise oracle, the armchair should attracts people of similar wisdom and authority.



**Appearance**

Indulge in Delphi's luxurious materials, namely full leather upholstery with stylish contrast stitching, and polished aluminium members.

**Comfort**

The deep cosy wrap-around backrest shape with plush cushioning, cossets you and gives a sense of security and tranquility.

**Flexibility**

The high-back swivel chair combines a headrest adjustable for height by friction. The chrome-plated finish of the headrest metal components provides a classy touch.



Delphi product family consists of 4 models to meet different needs and budgets in the same office.

### Backrest

For the standard basic line, only the seat, backrest and armrest panels are upholstered in fabric or synthetic-covering. For optional premium line (available in leather upholstery only), the rear of the back-shell is wrapped in leather in addition to leather upholstery. Leather and synthetic-covering upholstery will come with thicker, contrast-color thread stitching.

### Seat

Seat padding is moulded of polyurethane foam whereas the backrest, headrest and armrest employ dual-layer, dual density foams. Seat, backrest and armrest shells are moulded in black recyclable polypropylene.

### Base

A 70cm diameter five-point base(V) in black polyamide( nylon) comes as standard. A diecast aluminium version of same design(VP) in polished finish is optional. All are equipped with twin-wheel hooded castors in black polyamide( nylon).



### Mechanism

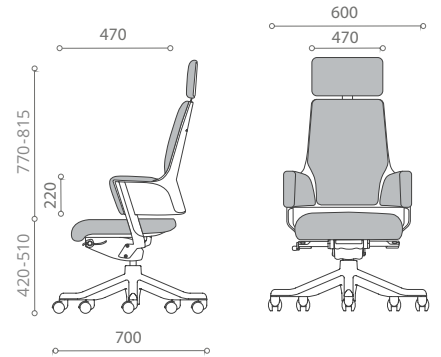
All swivel chair models employ a four-point synchronised recline mechanism featuring gas seat height control, recline-tension adjustment, and stepless recline lock. The mechanism main structure is diecast aluminium while control levers and knobs are moulded in polypropylene, all in black textured finish.

### Backbone

The backbone supports are diecast aluminium in a smooth polished finish.

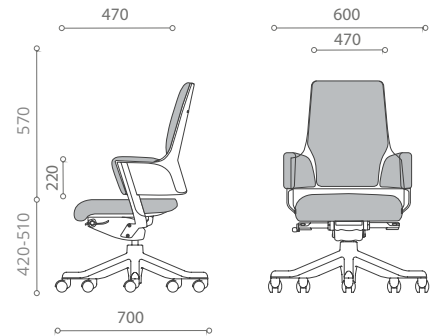
**High-back Swivel Chair**  
499MAA49V

**Full Leather**  
509MAA49VP FL



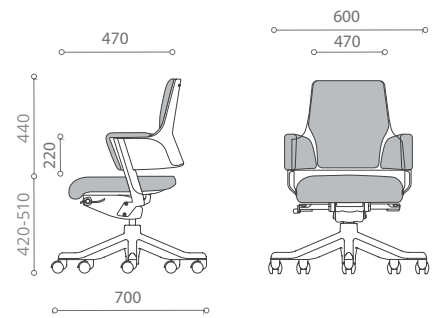
**Mid-back Swivel Chair**  
498MAA49V

**Full Leather**  
508MAA49VP FL



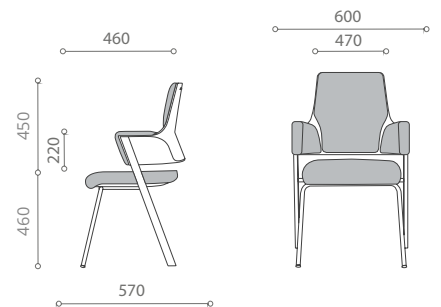
**Low-back Swivel Chair**  
497MAA49V

**Full Leather**  
507MAA49VP FL



**Low-back Side Chair**  
491NAA49S

**Full Leather**  
501NAA49S FL



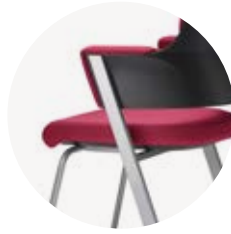
## Delphi: Options Base



**Polished Aluminium Base**  
(VP)



**Nylon Base (Black)**  
(V)



**Sliver 4-leg Base**  
(S)



**Chrome 4-leg Base**  
(C)

---

## HEAD OFFICE & FACTORY

[www.merryfair.com](http://www.merryfair.com)

### **Merryfair Chair System Sdn Bhd**

(Co. No. 86276-A)  
No.2, Jalan Koporat 1/KU9,  
Taman Perindustrian Meru,  
42200 Klang, Selangor D.E., Malaysia.

### **International Sales & Marketing**

Tel. +603 3393 2888  
Fax. +603 3393 2000  
[enquiry@merryfair.com](mailto:enquiry@merryfair.com)

### **Domestic Sales & Marketing**

Tel. +603 3393 6868  
Fax. +603 3393 6888  
[domestic@merryfair.com](mailto:domestic@merryfair.com)

## SHOWROOM OFFICE

### **Merryfair Marketing Sdn Bhd**

(Co. No. 665054-V)  
No. 82-84, Jalan 2/23A,  
Jalan Genting Kelang,  
53300 Kuala Lumpur, Malaysia.  
Tel. +603 4149 8899  
Fax. +603 4143 0113

## REGIONAL OFFICE & SHOWROOM

### **美力菲 (中国) 家具有限公司**

广东省佛山市顺德区容桂华口顺德高新区(容桂)华天路21号  
邮编: 528306  
Merryfair (China) Co.,Ltd  
No. 21, Huatian Road, Shunde High Tech Industrial Zone  
(Ronggui), Huakou Community, Ronggui Subdistrict,  
Shunde District, Foshan City, Guangdong, China 528306.  
Tel. +86 757 2636 9861  
Fax. +86 757 2881 9700  
[domestic@merryfair.com.cn](mailto:domestic@merryfair.com.cn)

### **Merryfair (Singapore) Pte Ltd**

33 Ubi Avenue 3, #01-52/53 Vertex,  
Singapore 408868.  
Tel. +65 6284 9098  
Fax. +65 6284 9028  
[enquiry@merryfair.com.sg](mailto:enquiry@merryfair.com.sg)

### **Merryfair (Thailand) Co.,Ltd**

Thai Samut Building  
Ground Floor, 163 Surawongse Road,  
Bangrak, Bangkok 10500 Thailand.  
Tel. +66 2266 3855  
Fax. +66 2266 3859  
[sales@merryfair.co.th](mailto:sales@merryfair.co.th)

