

SAGA COLLECTION

MERRYFAIR®

Seating Products



Seating Excellence at Work

Saga is a durable and ergonomic office chair that is an ideal seating solution for users with restricted budgets yet still demand high quality construction and ergonomic design.



Comfort

These adjustable chairs are cushioned and moulded to ensure comfort over long periods at your desk.

Flexibility

The smooth-riding mechanism allows the occupant to tilt easily from upright to reclined positions, supporting him or her in any posture.

Sustainability

Saga can be customized to fit nearly any user.



Saga has soft curves and pleasing contours provides all day comfort.

Polyester Mesh

Provide elastic support, yet allowing ventilation for comfort.

Seat

Seat consists of moulded polyurethane foam on a 2-piece shell structure, injection moulded in black polypropylene. Seat depth is adjustable by build-in-sliding seat and lever controlled. Seat height is adjustable for 120mm by means of a pneumatic gas spring.

Mechanism

Seat pan angle and backrest tilt adjustment provides any backrest tilt position, Also has pneumatic seat height control.



Armrest

Comes with 4-way adjustable armrest for height, which, depth and swivel angle. Armrest in black, of moulded polyurethane with steel insert. The fixed armrest made by black polypropylene (100% recyclable).

Base

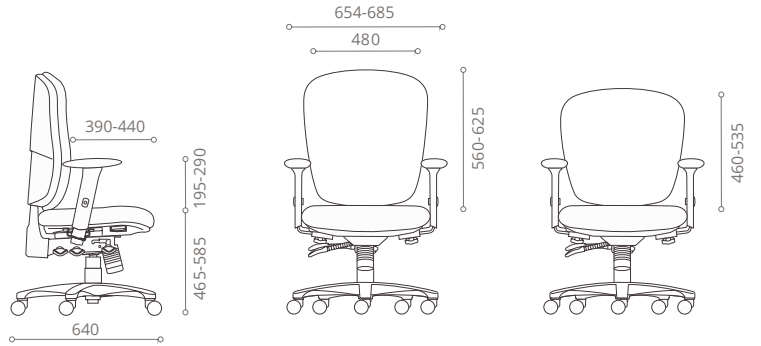
640mm Five-prong base of injection moulded polypropylene plastic. 50mm dual-wheel castors of moulded polyamide (nylon).

Swivel-Mid & Swivel-Low Back



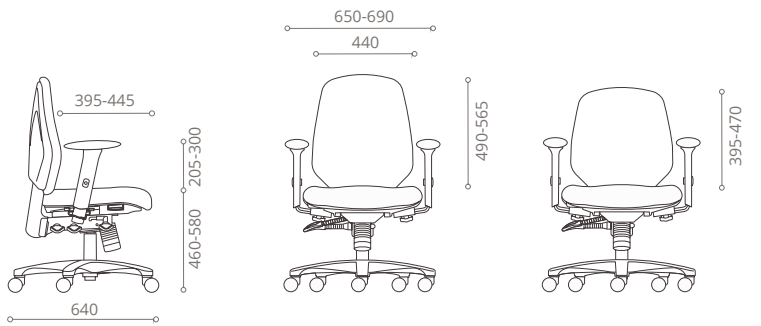
958 TJ A69 M2

957 TJ A69 M2



978 TG A69 M2

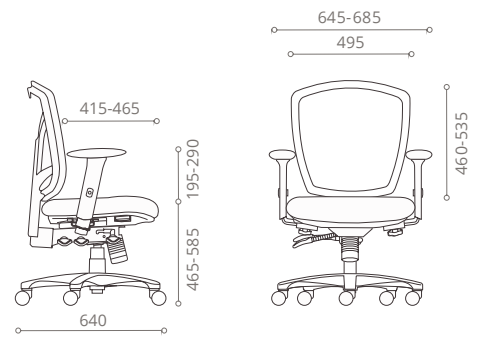
977 TG A69 M2



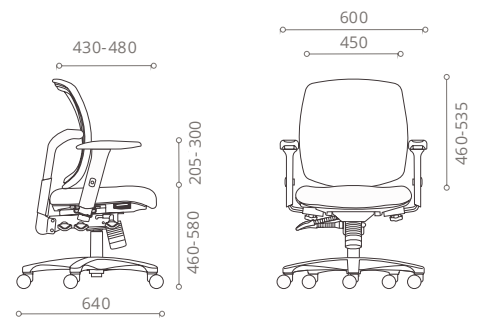
Swivel-Mesh Back



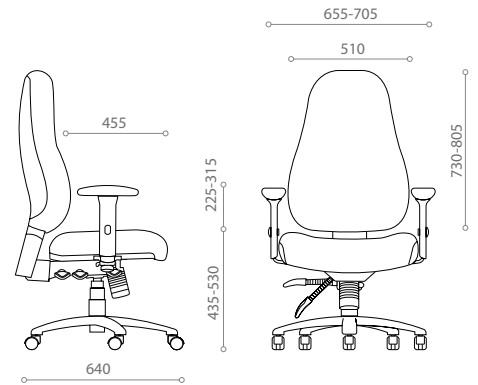
956 TJ A69 M2



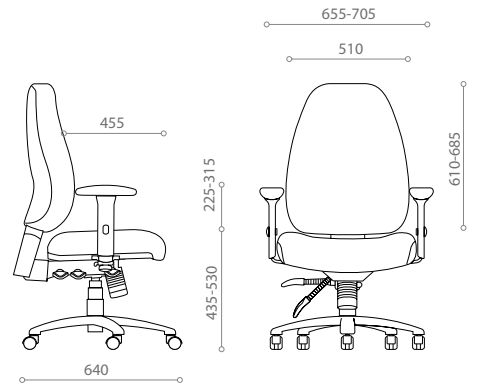
976 TG A4S M2



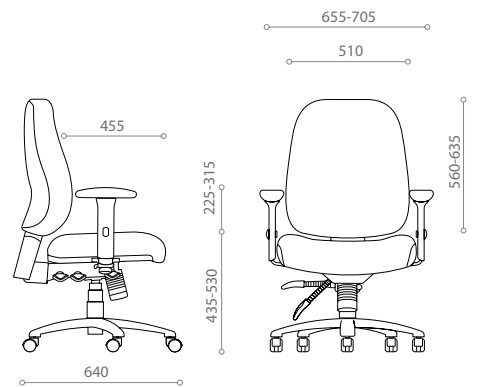
High Back Swivel Chair
639 TJ A63 BB



Mid Back Swivel Chair
638 TJ A63 BB



Low Back Swivel Chair
637 TJ A63 BB



Saga: Options

Armrest



4-Way Adjustable Armrest
with PU Armpad
(A63)



4-Way Adjustable Armrest
(A4S)



Fixed Armrest
(A15)

Features



Pneumatic Seat Height
Adjustment



Height-Width Adjustment
Armrest



Back Height Adjustment



Depth-Angle Adjustable
Armpad



Seat Tilt Adjustment



Seat Sliding Adjustment







HEAD OFFICE & FACTORY

www.merryfair.com

Merryfair Chair System Sdn Bhd
(Co. No. 86276-A)
No.2, Jalan Koporat 1/KU9,
Taman Perindustrian Meru,
42200 Klang, Selangor D.E., Malaysia.

International Sales & Marketing
Tel. +603 3393 2888
Fax. +603 3393 2000
enquiry@merryfair.com

Domestic Sales & Marketing
Tel. +603 3393 6868
Fax. +603 3393 6888
domestic@merryfair.com

SHOWROOM OFFICE

Merryfair Marketing Sdn Bhd
(Co. No. 665054-V)
No. 82-84, Jalan 2/23A,
Jalan Genting Kelang,
53300 Kuala Lumpur, Malaysia.
Tel. +603 4149 8899
Fax. +603 4143 0113

REGIONAL OFFICE & SHOWROOM

美力菲 (中国) 家具有限公司
广东省佛山市顺德区容桂华口顺德高新区(容桂)华天路21号
邮编: 528306
Merryfair (China) Co.,Ltd
No. 21, Huatian Road, Shunde High Tech Industrial Zone
(Ronggui), Huakou Community, Ronggui Subdistrict,
Shunde District, Foshan City, Guangdong, China 528306.
Tel. +86 757 2636 9861
Fax. +86 757 2881 9700
domestic@merryfair.com.cn

Merryfair (Singapore) Pte Ltd
33 Ubi Avenue 3, #01-52/53 Vertex,
Singapore 408868.
Tel. +65 6284 9098
Fax. +65 6284 9028
enquiry@merryfair.com.sg

Merryfair (Thailand) Co.,Ltd
Thai Samut Building
Ground Floor, 163 Surawongse Road,
Bangrak, Bangkok 10500 Thailand.
Tel. +66 2266 3855
Fax. +66 2266 3859
sales@merryfair.co.th

