

ROBIN

MERRYFAIR®

Seating Products



Simple Modern Elegance

Robin is designed as a basic chair to complement Merryfair's range of ergonomic executive chair.



Comfort

A permeable mesh backrest makes a smart modern look and also functions to provide ventilation for optimal comfort.

Appearance

The integrated back and armrest design makes a sturdy, rigid yet lightweight structure.

Versatility

Robin with a cantilever sled base makes an elegant visitor chair. A four wheeled version comes in handy for seminars or breakout meetings.



Robin has a modern appearance that allow a consistent furnishing image while meeting budget requirements.

Back Frame

Back frame, back caps, and seat shell of polypropylene (100% recyclable) in black color.

Back and Seat Upholstery

100% Hight Tenacity Polyester Mesh. This permeable mesh provides elastic support, yet allowing ventilation for optimal comfort. Seat upholstery in fabric, vinyl or leather on polyurethane foam (recyclable into carpet padding, wadding etc)



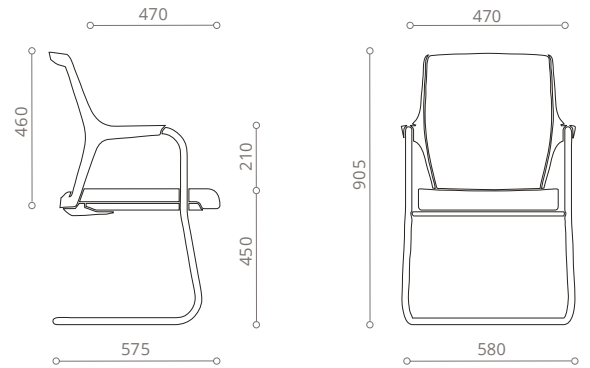
Base

Cantilever sled base of 27mm diameter tubular steel (100% recyclable) in choice of epoxy powder coating or chrome plating, equipped with gildes in black polypropylene (100% recyclable).

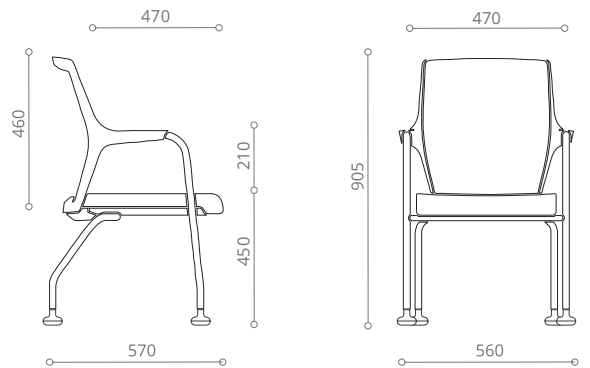
4-leg base of 27mm diameter tubular steel (100% recyclable) in choice of epoxy powder coating or chrome plating, equipped with 50mm diameter dual-wheel castors in black polyamide.

640mm diameter 'STUDIO' base of black polypropylene(100% recyclable), equipped with 50mm diameter dual-wheel castors in black polyamide.

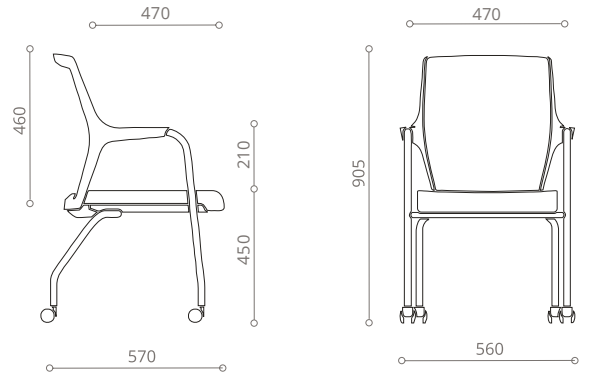
Side Chair
691B NA A67 C



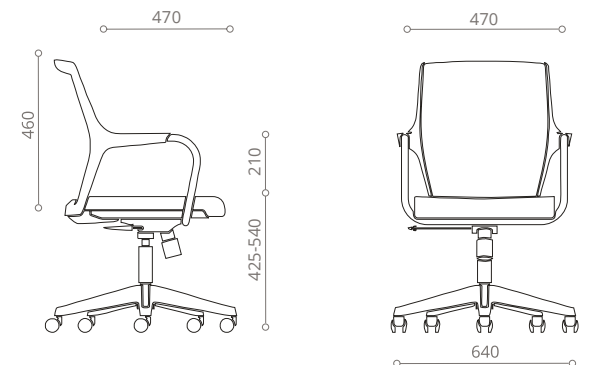
Conference chair
691B NA A67 H



Seminar chair
691B NA A67 H4



Swivel chair
697 B SH A67 N3



Robin: Options
Back Color

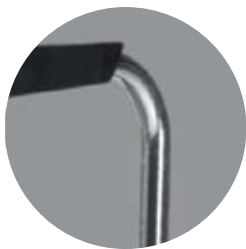


Black
(B)



Grey
(G)

Robin: Options
Base Color



Chrome Plating
(C)



Silver Epoxy
(S)



Black Epoxy
(B)

HEAD OFFICE & FACTORY

Merryfair Chair System Sdn Bhd
(Co. No. 86276-A)
No.2, Jalan Koporat 1/KU9,
Taman Perindustrian Meru,
42200 Klang, Selangor D.E., Malaysia.

International Sales & Marketing
Tel. +603 3393 2888
Fax. +603 3393 2000
enquiry@merryfair.com

Domestic Sales & Marketing
Tel. +603 3393 6868
Fax. +603 3393 6888
domestic@merryfair.com

SHOWROOM OFFICE

Merryfair Marketing Sdn Bhd
(Co. No. 665054-V)
No. 82-84, Jalan 2/23A,
Jalan Genting Kelang,
53300 Kuala Lumpur, Malaysia.
Tel. +603 4149 8899
Fax. +603 4143 0113

REGIONAL OFFICE & SHOWROOM

美力菲 (中国) 家具有限公司
广东省佛山市顺德区容桂华口顺德高新区(容桂)华天路21号
邮编: 528306
Merryfair (China) Co.,Ltd
No. 21, Huatian Road, Shunde High Tech Industrial Zone
(Ronggui), Huakou Community, Ronggui Subdistrict,
Shunde District, Foshan City, Guangdong, China 528306.
Tel. +86 757 2636 9861
Fax. +86 757 2881 9700
domestic@merryfair.com.cn

Merryfair (Singapore) Pte Ltd
33 Ubi Avenue 3, #01-52/53 Vertex,
Singapore 408868.
Tel. +65 6284 9098
Fax. +65 6284 9028
enquiry@merryfair.com.sg

Merryfair (Thailand) Co.,Ltd
Thai Samut Building
Ground Floor, 163 Surawongse Road,
Bangrak, Bangkok 10500 Thailand.
Tel. +66 2266 3855
Fax. +66 2266 3859
sales@merryfair.co.th

www.merryfair.com

