

PREMIERE

MERRYFAIR®

Seating Products



Seating Excellence at Work

Premiere is a perfect combination of modern design, durability, ergonomic comfort and price.



Available in**3 Backrest Height**

- Executive
- Superior
- Basic

4 Fitting Combinations

- Standard side panel
- With cup holder only
- With writing tablet only
- With cup holder and writing tablet

Come with These Standard Features**Back and Seat Numbers**

Self-adhesive sticker. Font style is Arial.

Seat Mechanism

Auto return seat with spring mechanism.

Fixing

Available with floor mounting only.

Finishing

Mild steel frame in epoxy powder coating in black colour. Other colour only available upon request.

Come with These Optional Features**2 Armcap Finishing Options**

Standard black colour
Optional beech colour

Aisle Lighting

Light with row label.
Row label is Arial.



Premiere is a system designed specifically for lecture halls, conference centers, meeting rooms and similar purposes.

Back and Seat

Back and seat cushions are moulded polyurethane foam with ergonomic design, furnished with various colour of fabric. The polypropylene (PP) back cover with numbering is convenient for audience to locate their seat from behind.



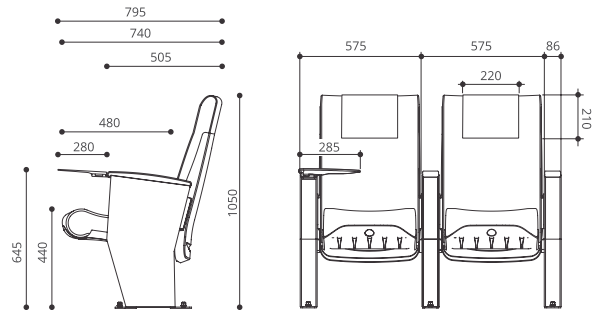
Retractable Writing Tablet

The tablet can be retracted inside the side panel when not in use. The heavy duty die-cast aluminium structure provides the strength to support an A4 size tablet suitable for laptops, conference binders or others. Pencil and accessories slot specially designed for suit the needs of multitasking audiences.

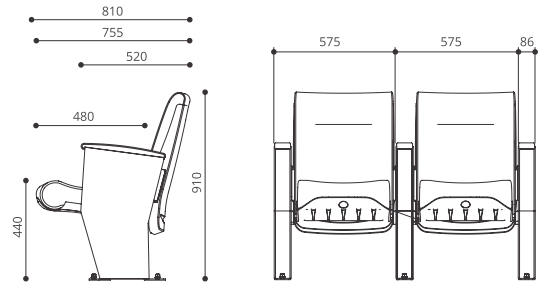
Seat

Upholstered polyurethane seat with spring return mechanism hidden inside the seat cover. Injection Moulded Polypropylene(PP) seat cover with structural ribs for extra beauty and strength to the seat itself.

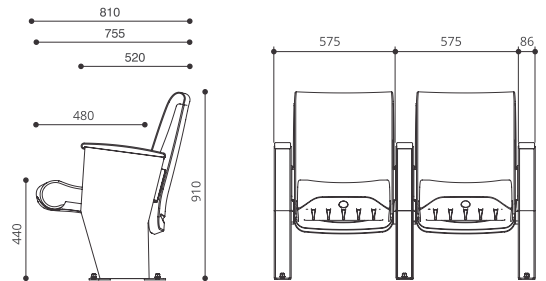
Premiere Executivev
543 FD BAC AK



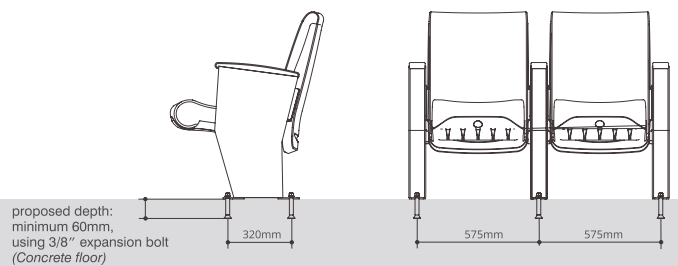
Premiere Superior
542 FD BAC AK



Premiere Basic
541 FD BvAC AK



Proposed Installation Guide



Premiere: Options

Side Panel Fitting



Standard Side Panel
(BAC)



With Cup Holder
(BCH)



With Writing Tablet
(BWT)



With Writing Tablet & Cup Holder
(BWC)

Armcap Finishing



Black Plastic Armcap
(B)



Beech Plastic Armcap
(X)

Accessory



Aisle Light With Number
(AL)

HEAD OFFICE & FACTORY

www.merryfair.com

Merryfair Chair System Sdn Bhd

(Co. No. 86276-A)
No.2, Jalan Koporat 1/KU9,
Taman Perindustrian Meru,
42200 Klang, Selangor D.E., Malaysia.

International Sales & Marketing

Tel. +603 3393 2888
Fax. +603 3393 2000
enquiry@merryfair.com

Domestic Sales & Marketing

Tel. +603 3393 6868
Fax. +603 3393 6888
domestic@merryfair.com

SHOWROOM OFFICE

Merryfair Marketing Sdn Bhd

(Co. No. 665054-V)
No. 82-84, Jalan 2/23A,
Jalan Genting Kelang,
53300 Kuala Lumpur, Malaysia.
Tel. +603 4149 8899
Fax. +603 4143 0113

REGIONAL OFFICE & SHOWROOM

美力菲 (中国) 家具有限公司

广东省佛山市顺德区容桂华口顺德高新区(容桂)华天路21号
邮编: 528306
Merryfair (China) Co.,Ltd
No. 21, Huatian Road, Shunde High Tech Industrial Zone
(Ronggui), Huakou Community, Ronggui Subdistrict,
Shunde District, Foshan City, Guangdong, China 528306.
Tel. +86 757 2636 9861
Fax. +86 757 2881 9700
domestic@merryfair.com.cn

Merryfair (Singapore) Pte Ltd

33 Ubi Avenue 3, #01-52/53 Vertex,
Singapore 408868.
Tel. +65 6284 9098
Fax. +65 6284 9028
enquiry@merryfair.com.sg

Merryfair (Thailand) Co.,Ltd

Thai Samut Building
Ground Floor, 163 Surawongse Road,
Bangrak, Bangkok 10500 Thailand.
Tel. +66 2266 3855
Fax. +66 2266 3859
sales@merryfair.co.th

