

APOLLO

MERRYFAIR®

Seating Products



Simple Modern Elegance

Apollo brings style into your workplace with its swooping wraparound armrest and curvaceous profile. Its ease of use aims to integrate seamlessly into your work day. The wide seating surfaces feel open and relaxed accommodating various user sizes.



Available in**3 Variants**

- High back
- Mid back
- Visitor

2 Type Of Back Upholstery

- Fabric
- Mesh

3 Type Of Mechanisms

- Knee-Tilt with tension knob
- Knee-Tilt with side crank for recline tension
- Spring Head

3 Type Of Bases

- Five-star diecast aluminium alloy
- Five-star moulded polypropylene
- Cantilever CNC bent steel tubing



From task to executive chair, Apollo promises not to spin you out of orbit.



Back Upholstery

Fabric Surface

Upholstered over polyurethane foam (recyclable into carpet padding, wedding etc.)

Mesh Surface

100% polyester high tensile mesh.

Seat Upholstery

Fabric Surface

Upholstered over polyurethane foam (recyclable into carpet padding, wedding etc.)

Base

Standard Studio Base of moulded black polypropylene (100% recyclable). Optional Five-star Stiletto base of diecast aluminium alloy (100% recyclable) in epoxy powder coating or polished finish.

Cantilever base of welded 27mm diameter tubular steel finished in silver epoxy powder coating.

Headrest / Backrest

White or black outer shell of moulded polypropylene (100% recyclable).

Armframe

Grey colored molded polypropylene (100% recyclable)

Mechanism

Advanced Swivel-tilt mechanisms provides Tilt tension control, multi-position Tilt lock and pneumatic seat height control.

Basic Swivel-tilt chair employs a Spring-head mechanisms with 2 position Tilt Lock and pneumatic seat height control.



Knee Tilt Mechanism

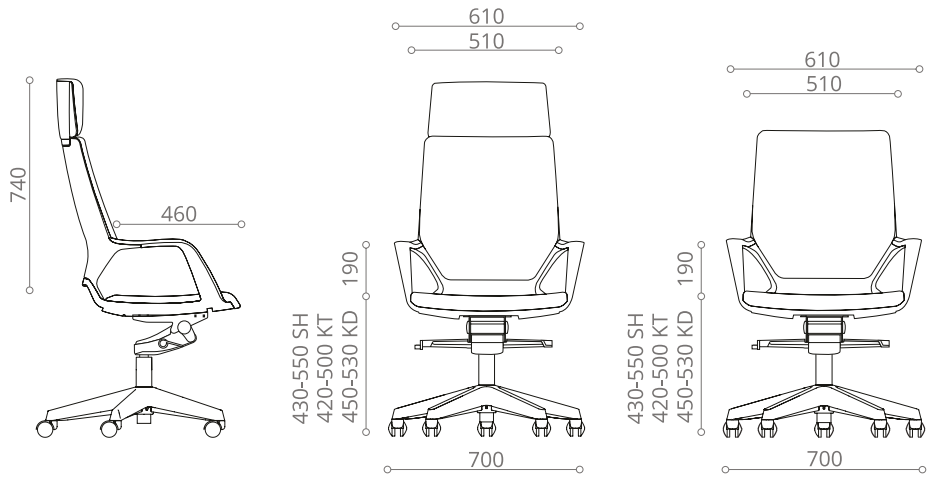


Spring Head Mechanism



Pneumatic Seat Height Adjustment

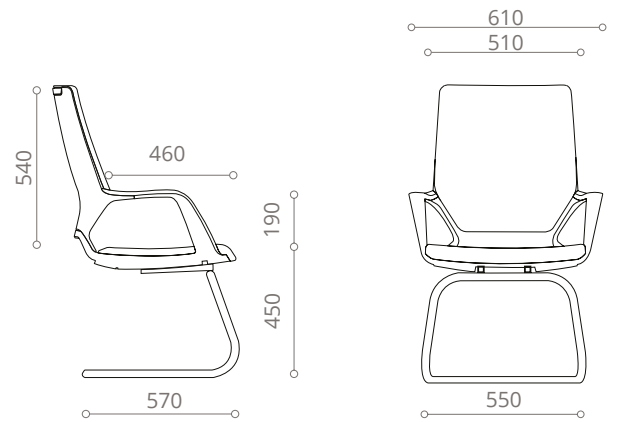
Swivel-Tilt Chair



909* SHA72N2
With Headrest

908* SHA72N2

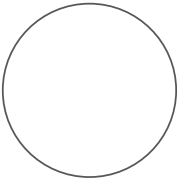
Visitor Chair



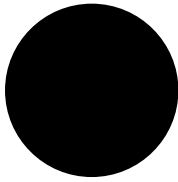
901* NAA72S
Visitor Chair

Apollo: Options

Shell Color Options

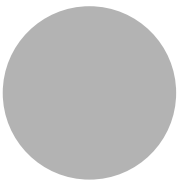


Pure White
(P)



Black
(B)

Standard Armframe Color



Grey
(G)

Mechanisms Options



Spring Head
Mechanism
(SH)



Knee Tilt
Mechanism
(KT)



Knee Tilt
Mechanism
(KD)

Base Options



350 Polished
Aluminium Base
(VP)



350 Black
Aluminium Base
(VB)



350 Silver
Aluminum Base
(VG)



350 Studio Base
(N2)



Silver Cantilever
Base
(S)

HEAD OFFICE & FACTORY

Merryfair Chair System Sdn Bhd
(Co. No. 86276-A)
No.2, Jalan Koporat 1/KU9,
Taman Perindustrian Meru,
42200 Klang, Selangor D.E., Malaysia.

International Sales & Marketing
Tel. +603 3393 2888
Fax. +603 3393 2000
enquiry@merryfair.com

Domestic Sales & Marketing
Tel. +603 3393 6868
Fax. +603 3393 6888
domestic@merryfair.com

SHOWROOM OFFICE

Merryfair Marketing Sdn Bhd
(Co. No. 665054-V)
No. 82-84, Jalan 2/23A,
Jalan Genting Kelang,
53300 Kuala Lumpur, Malaysia.
Tel. +603 4149 8899
Fax. +603 4143 0113

REGIONAL OFFICE & SHOWROOM

美力菲 (中国) 家具有限公司
广东省佛山市顺德区容桂华口顺德高新区(容桂)华天路21号
邮编: 528306
Merryfair (China) Co.,Ltd
No. 21, Huatian Road, Shunde High Tech Industrial Zone
(Ronggui), Huakou Community, Ronggui Subdistrict,
Shunde District, Foshan City, Guangdong, China 528306.
Tel. +86 757 2636 9861
Fax. +86 757 2881 9700
domestic@merryfair.com.cn

Merryfair (Singapore) Pte Ltd
33 Ubi Avenue 3, #01-52/53 Vertex,
Singapore 408868.
Tel. +65 6284 9098
Fax. +65 6284 9028
enquiry@merryfair.com.sg

Merryfair (Thailand) Co.,Ltd
Thai Samut Building
Ground Floor, 163 Surawongse Road,
Bangrak, Bangkok 10500 Thailand.
Tel. +66 2266 3855
Fax. +66 2266 3859
sales@merryfair.co.th

www.merryfair.com

