

WING

MERRYFAIR®

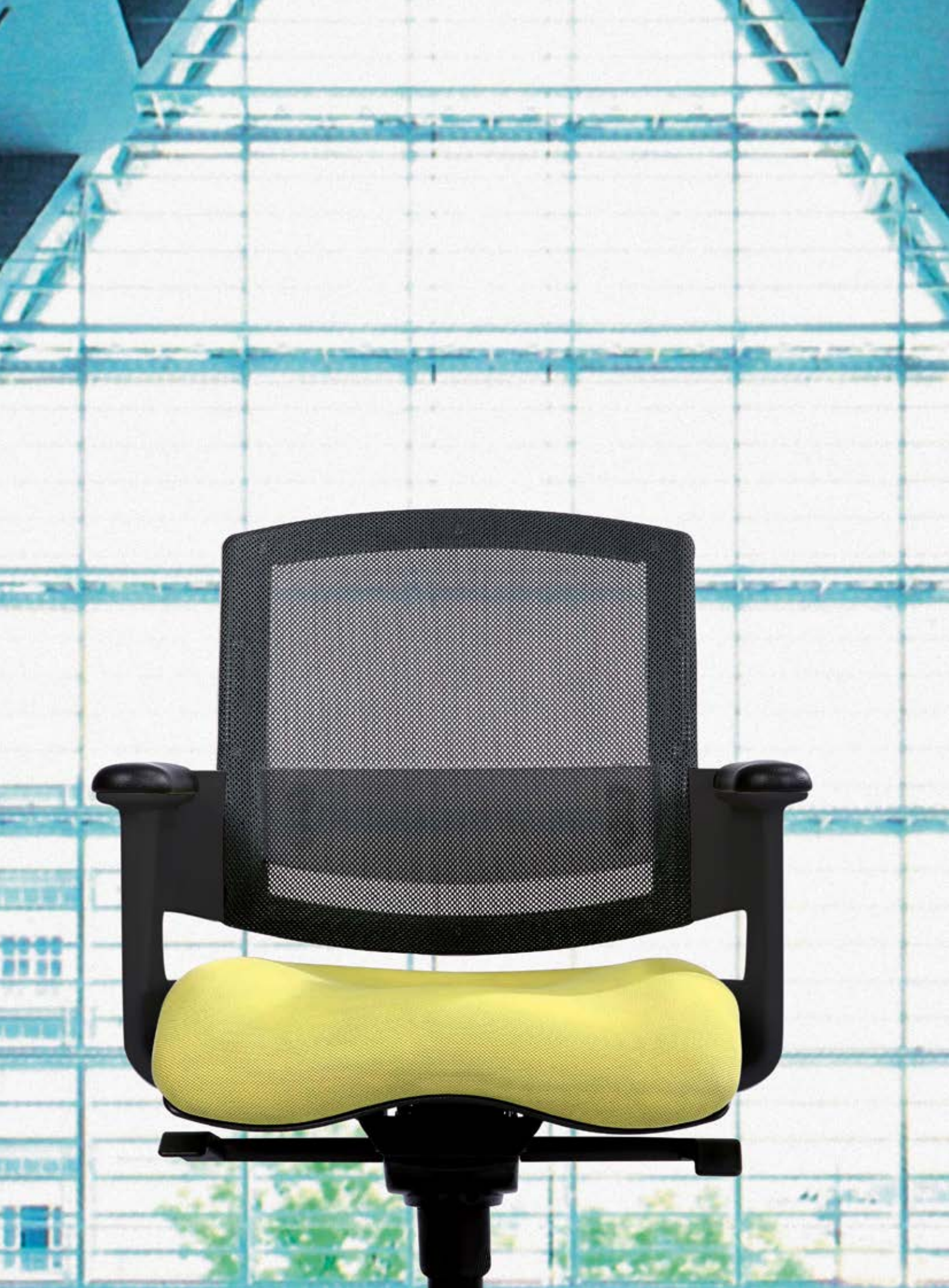
Seating Products



Seating Excellence at Work

Soho seating.





Backframe

Moulded polypropylene back frame in standard black colour.

Armrests

Upholstered armpad for standard model.

Chair Mechanism

Synchronized mechanism with tilt tension control, multi position tilt lock, and pneumatic seat height control.



Backrest

Breathable mesh backrest allows improve ventilation and transpiration.

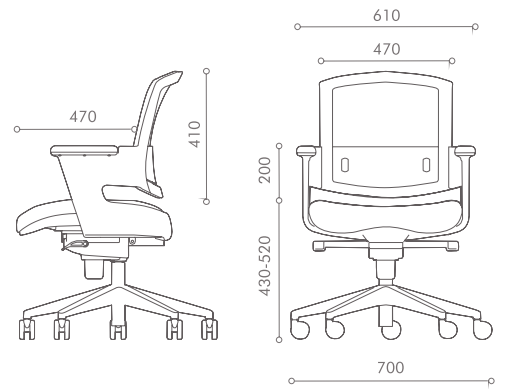
Lumbar Support Pad

Translucent soft elastomer height adjustable lumbar pad to customize the exact support for various spinal shapes.

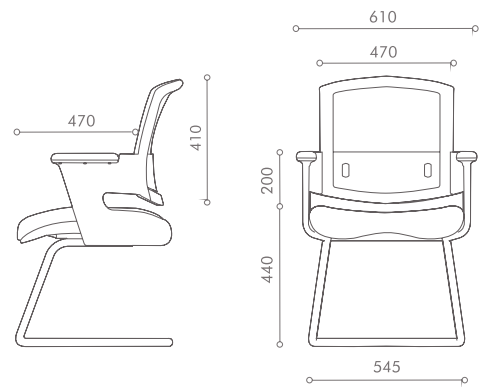
Base

Moulded polypropylene base in standard black colour.

Mid Back
207B YC A36 N2



Visitor
201B NA A36 B



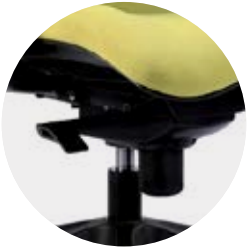
Wing: Specifications

Armrest



Moulded PP Armrest
(A36)

Mechanism



Synchronized Mechanism
(YC)

Base



350 Studio Base
(N2)



Cantilever Base (Black)
(B)

Seat Features



Pneumatic Seat
Height Adjustment



Synchronized
Mechanism

HEAD OFFICE & FACTORY

www.merryfair.com

Merryfair Chair System Sdn Bhd

(Co. No. 86276-A)
No.2, Jalan Koporat 1/KU9,
Taman Perindustrian Meru,
42200 Klang, Selangor D.E., Malaysia.

International Sales & Marketing

Tel. +603 3393 2888
Fax. +603 3393 2000
enquiry@merryfair.com

Domestic Sales & Marketing

Tel. +603 3393 6868
Fax. +603 3393 6888
domestic@merryfair.com

SHOWROOM OFFICE

Merryfair Marketing Sdn Bhd

(Co. No. 665054-V)
No. 82-84, Jalan 2/23A,
Jalan Genting Kelang,
53300 Kuala Lumpur, Malaysia.
Tel. +603 4149 8899
Fax. +603 4143 0113

REGIONAL OFFICE & SHOWROOM

美力菲 (中国) 家具有限公司

广东省佛山市顺德区容桂华口顺德高新区(容桂)华天路21号
邮编: 528306
Merryfair (China) Co.,Ltd
No. 21, Huatian Road, Shunde High Tech Industrial Zone
(Ronggui), Huakou Community, Ronggui Subdistrict,
Shunde District, Foshan City, Guangdong, China 528306.
Tel. +86 757 2636 9861
Fax. +86 757 2881 9700
domestic@merryfair.com.cn

Merryfair (Singapore) Pte Ltd

33 Ubi Avenue 3, #01-52/53 Vertex,
Singapore 408868.
Tel. +65 6284 9098
Fax. +65 6284 9028
enquiry@merryfair.com.sg

Merryfair (Thailand) Co.,Ltd

Thai Samut Building
Ground Floor, 163 Surawongse Road,
Bangrak, Bangkok 10500 Thailand.
Tel. +66 2266 3855
Fax. +66 2266 3859
sales@merryfair.co.th

