

SPINELLY

MERRYFAIR®

Seating Products



Sense and Flexibility

Our spine is one of the most important part of our body that gives us structure and support. It plays a vital role to enable us to perform simple tasks like standing up and sitting upright. Spinelly's inspiration comes from the structure of the human vertebrae. The idea is to create a chair that simulates the support of the spine. Spinelly is available in two colours, black for a polished and sleek look, white for a fun and edgy office setting.





Our aim is to create a back that moves with you. Spinely's flexible back allows for active seating. This is achieved through a unique rib design in conjunction with an elastomer spine system. The chair is also equipped with a weight sensing mechanism which adjusts the recline resistance automatically according to the user's weight.







Soft-touch Armpad

Integral moulded polyurethane in grey colour.

Armrest

Height-adjustable for a range of 100mm. Glass-fibre filled (100% recyclable) polypropylene in grey colour. Mechanism parts in polyacetal.

Mechanism

A weight-sensing mechanism auto-adjusts recline resistance according to user weight. Provides Tilt-lock, Seat height and Seat depth adjustment. Diecast aluminum structure with steel and nylon parts, in black colour only.



Headrest

Polypropylene (100% recyclable) frame in black or white colour option. Polyelastomer/Nylon/Polyester mesh in Jet grey colour.

Backrest

Height-adjustable lumbar support with a range of 55mm. Polypropylene (100% recyclable) frame in black or white colour option. Spinal joints of thermoplastic elastomer in grey colour. Polyelastomer/Nylon/Polyester mesh in Jet grey colour

Seat

Depth-adjustable for a range of 60mm. Polypropylene (100% recyclable) shell in black colour. Fabric or leather upholstery over moulded polyurethane foam.

Base

695mm diameter diecast aluminum (100% recyclable) in polished finish or matt silver epoxy-coating option.

Castor

65mm diameter dual-wheel in black Nylon.

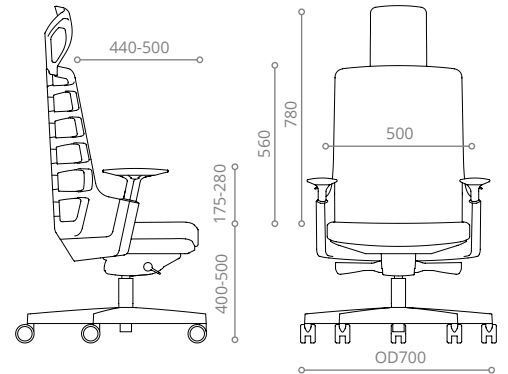


Models**999B YKA77NP**

High back in black

999P YKA77NG

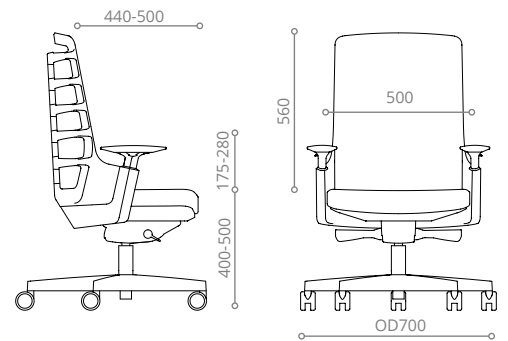
High back in white

**998B YKA77NP**

Mid back in black

998P YKA77NG

Mid back in white



HEAD OFFICE & FACTORY

Merryfair Chair System Sdn Bhd
(Co. No. 86276-A)
No.2, Jalan Koporat 1/KU9,
Taman Perindustrian Meru,
42200 Klang, Selangor D.E., Malaysia.

International Sales & Marketing
Tel. +603 3393 2888
Fax. +603 3393 2000
enquiry@merryfair.com

Domestic Sales & Marketing
Tel. +603 3393 6868
Fax. +603 3393 6888
domestic@merryfair.com

SHOWROOM OFFICE

Merryfair Marketing Sdn Bhd
(Co. No. 665054-V)
No. 82-84, Jalan 2/23A,
Jalan Genting Kelang,
53300 Kuala Lumpur, Malaysia.
Tel. +603 4149 8899
Fax. +603 4143 0113

REGIONAL OFFICE & SHOWROOM

美力菲 (中国) 家具有限公司
广东省佛山市顺德区大良南国西路安利工业区
Merryfair (China) Co.,Ltd
Anli Industrial Area, Nan Guo Xi Lu,
Daliang, Shunde Area, Foshan City,
Guangdong Province, China 528305.
Tel. +86 757 2636 9861
Fax. +86 757 2881 9700
domestic@merryfair.com.cn

Merryfair (Singapore) Pte Ltd
33 Ubi Avenue 3, #01-52/53 Vertex,
Singapore 408868.
Tel. +65 6284 9098
Fax. +65 6284 9028
enquiry@merryfair.com.sg

Merryfair (Thailand) Co.,Ltd
Thai Samut Building
Ground Floor, 163 Surawongse Road,
Bangrak, Bangkok 10500 Thailand.
Tel. +66 2266 3855
Fax. +66 2266 3859
sales@merryfair.co.th

